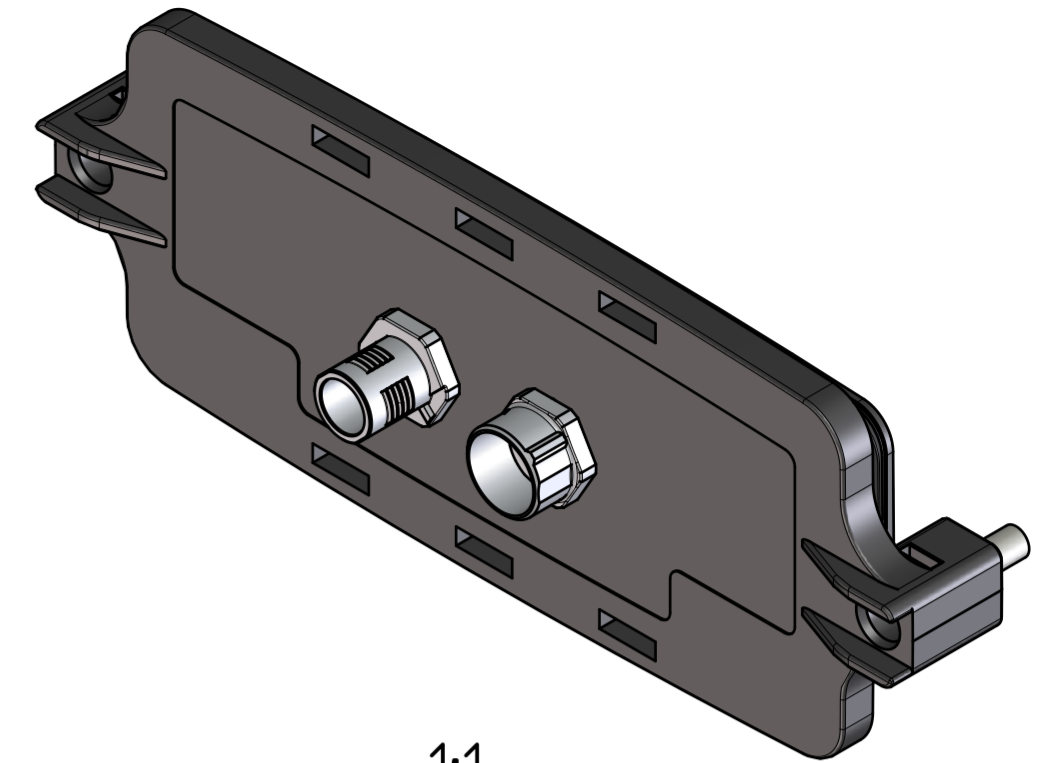
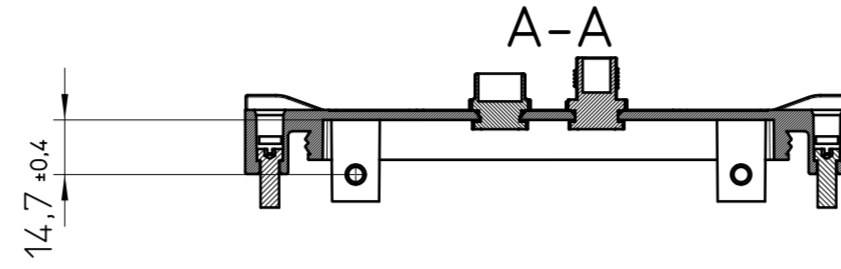
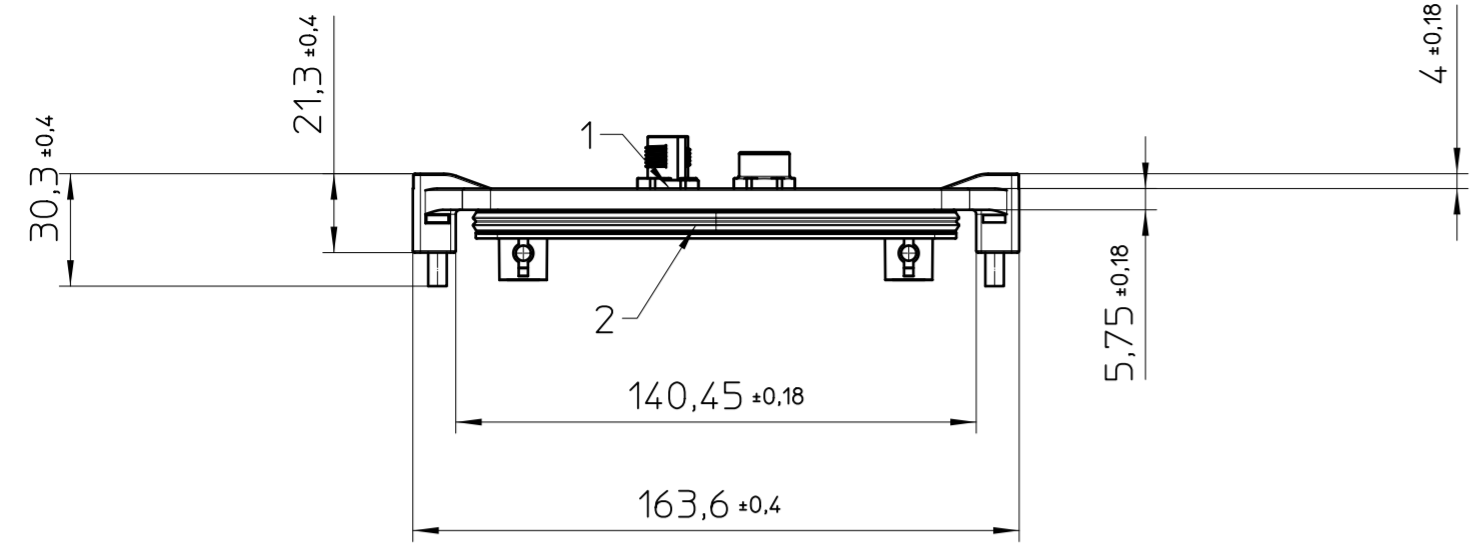
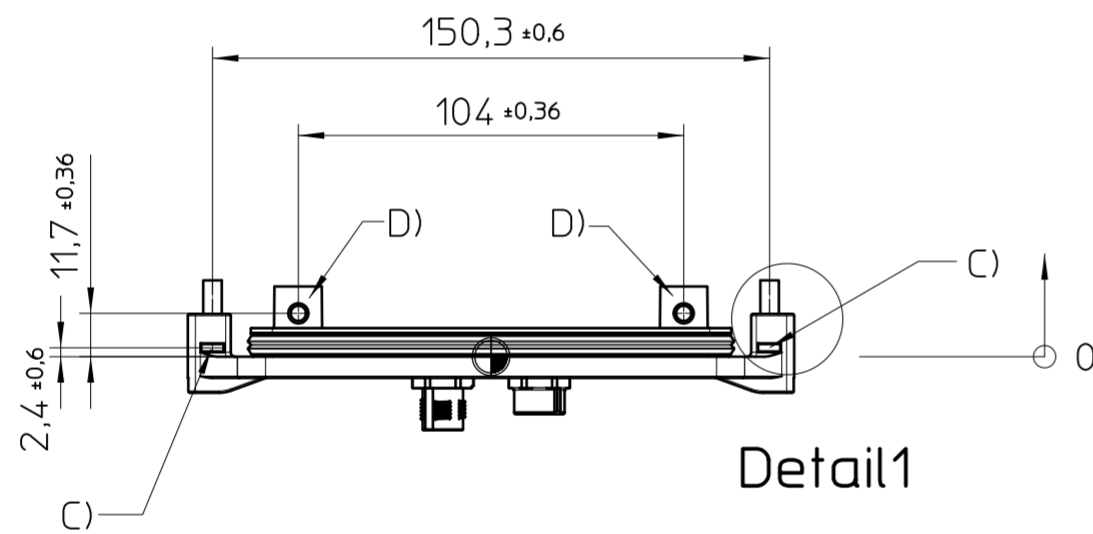
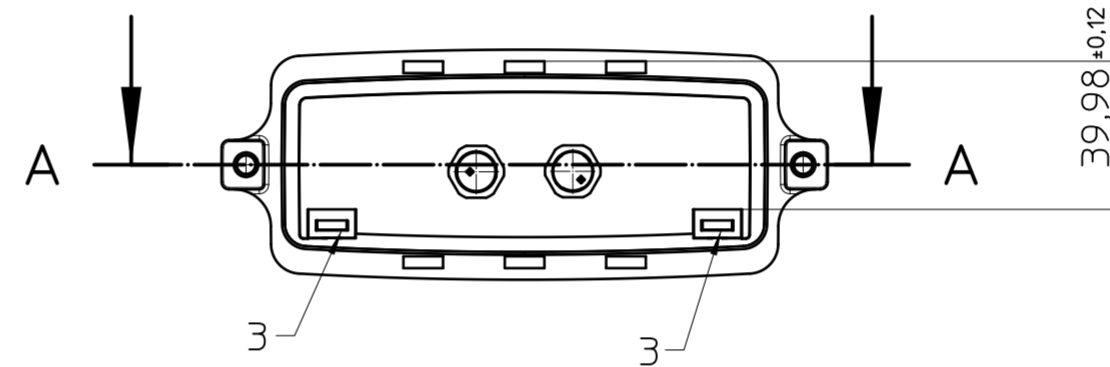
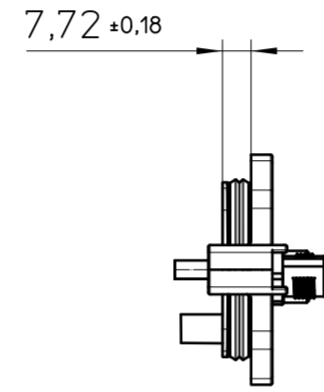
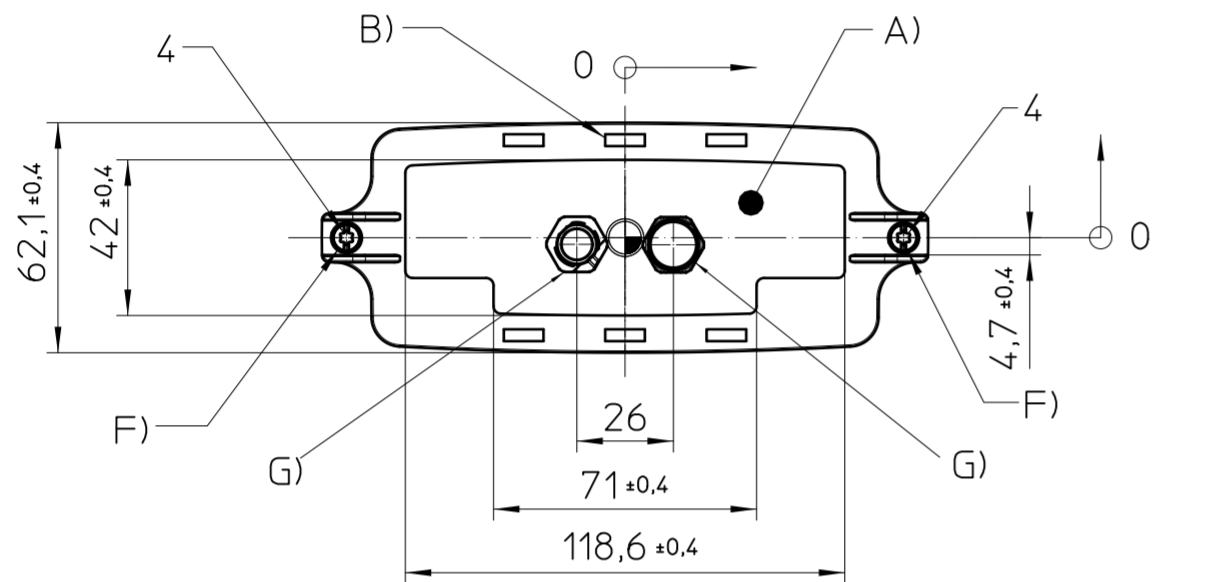


Transfer or duplication of this document as well as the utilisation or communication of its content are not permitted unless express consent is granted. Violations give rise to claims for damages. All rights reserved in case of patent, utility model or design patent registrations.

Weitergabe sowie Vervielfältigung dieses Dokuments, Verwertung und Mitteilung seines Inhalts sind verboten, soweit nicht ausdrücklich gestattet. Zuwiderhandlungen verpflichten zu Schadensersatz. Alle Rechte für den Fall der Patent-, Gebrauchsmuster- oder Designeintragung vorbehalten.



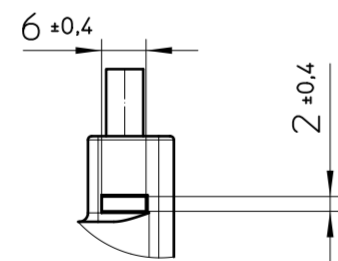
1:1



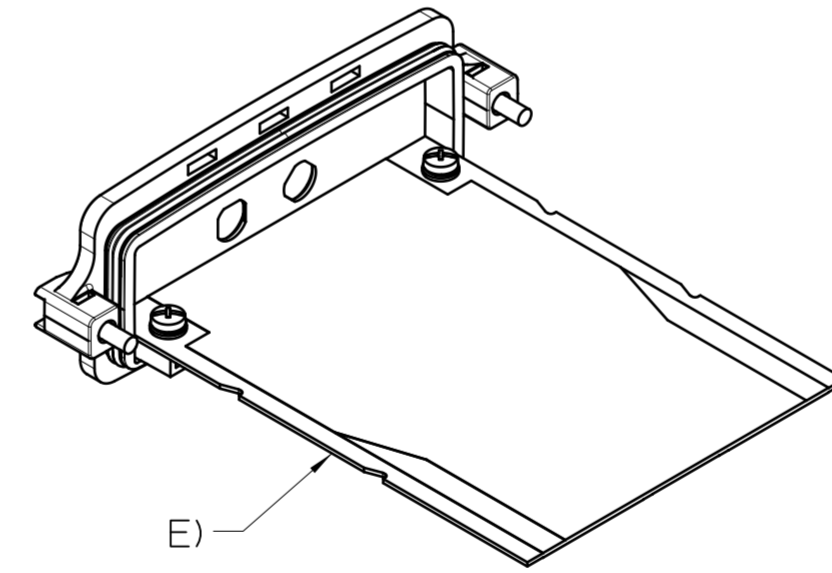
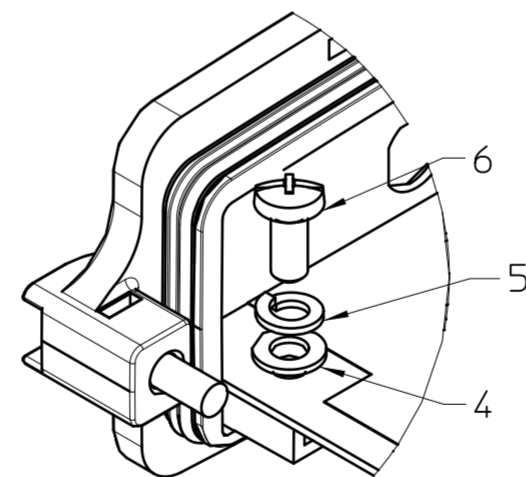
Detail1

Detail1

1:1



Partial1
1:1



GENERAL INFORMATION:
 - SIMPLIFIED REPRESENTATION
 - DOCUMENT EXCLUDED FROM CHANGE PROCESS
 - LINEAR DIMENSIONS (MM)
 - WEB: WWW.PHOENIXCONTACT.COM WEBCODE: #0857

ADDITIONAL INFORMATION:
 A) LABEL / MILLING / PRINT AREA
 B) ENCLOSURE ALIGNMENT LUG SLOTS (6X) FOR ECS-B-122X169-L...
 C) TAMPER PROOF FEATURE
 D) PCB MOUNTING AREA
 E) CUSTOMER SUPPLIED PCB
 F) SCREW RETENTION FEATURE
 G) MOUNTING AREA FOR M12 CONNECTION

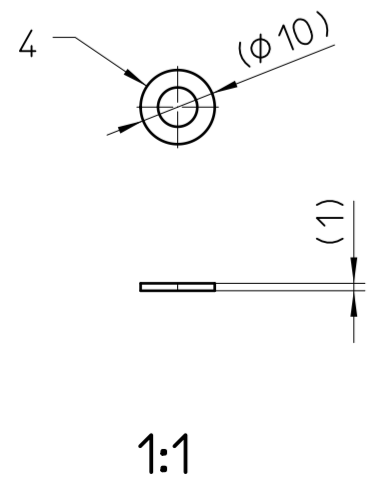
WORKPIECE ZERO POINT FOR MECHANICAL PROCESSING

CUSTOMER ASSEMBLED COMPONENTS

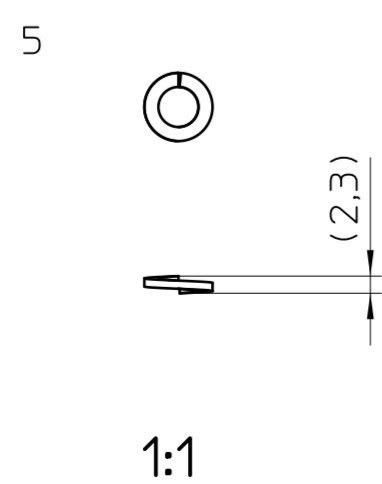
Pos.	QTY	description	material
5	2	FLAT WASHER 5MM	Zn STL
6	2	SPLIT LOCK WASHER 5MM	Zn STL
7	2	PHILLIPS SCREW M5X12	Zn STL
8	2	1M1F M12 NUT KIT	Misc.

Pos.	QTY	description	material
1	1	ECS FACEPLATE	PC
2	1	FACEPLATE SEAL	SI
3	2	SQUARE NUTS	ZN STL
4	2	M5 SCREWS	ZN STL

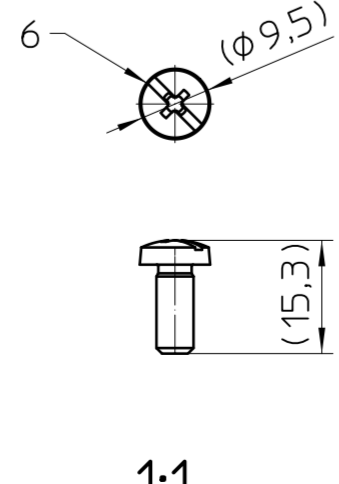
	document-No. / RI	date	scale
	01217173 / 02	19.01.2026	1:2
	ident.-No.	document-type	
	1135438	TECDOC 2D_Productdrawing	
page 1	of 1	description ECS-P-122X169-S-UV-1M1FM12 GY	



1:1



1:1



1:1