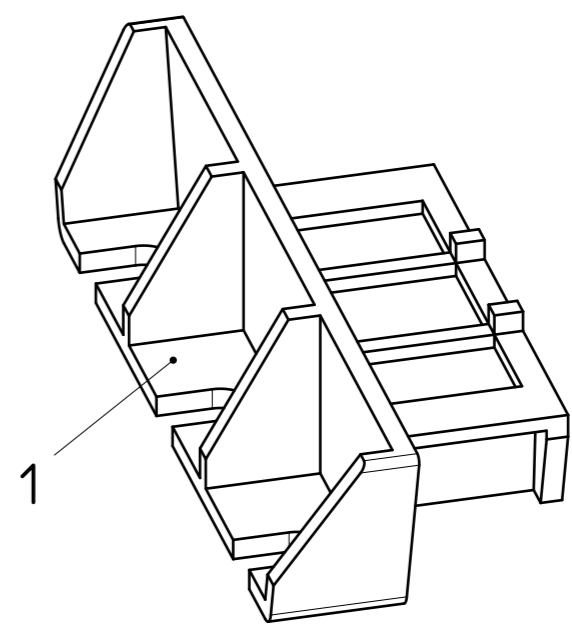
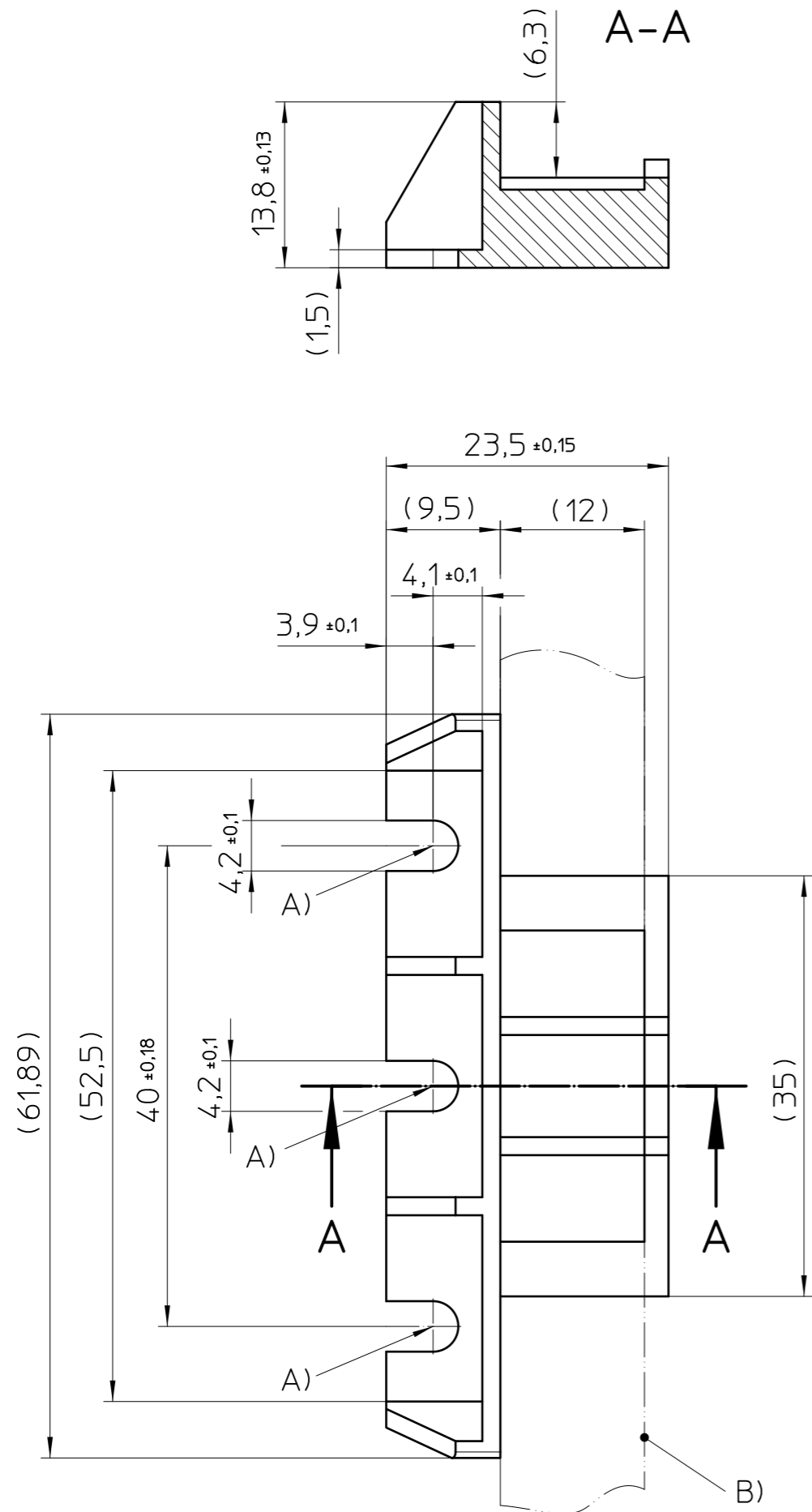


Transfer or duplication of this document as well as the utilisation or communication of its content are not permitted unless express consent is granted. Violations give rise to claims for damages. All rights reserved in case of patent, utility model or design patent registrations.

Weitergabe sowie Vervielfältigung dieses Dokuments, Verwertung und Mitteilung seines Inhalts sind verboten, soweit nicht ausdrücklich gestattet. Zuwiderhandlungen verpflichten zu Schadensersatz. Alle Rechte für den Fall der Patent-, Gebrauchsmuster- oder Designeintragung vorbehalten.



General Information:

- Simplified representation
- Document excluded from change process
- Linear dimensions [mm]
- Tolerances apply in a normal climate according to DIN EN ISO 291-23/50-2, PA plastic parts with about 2% (% by weight) moisture content.
- Web: www.phoenixcontact.com webcode: #0313 / #0314

Additional Information:

- A) Screw position
- B) UM-... COVER L/R

Pos.	QTY	Description	Material
1	1	MOUNTING FLANGE	PA
		document-No. / RI	date
		01029566 / 01	22.05.2025
		ident.-No.	document-type
		2202032	TECDCO 2D_Productdrawing
		description	
		UM-BASIC/PRO MOUNT KMGY	
page 1	of 1		