

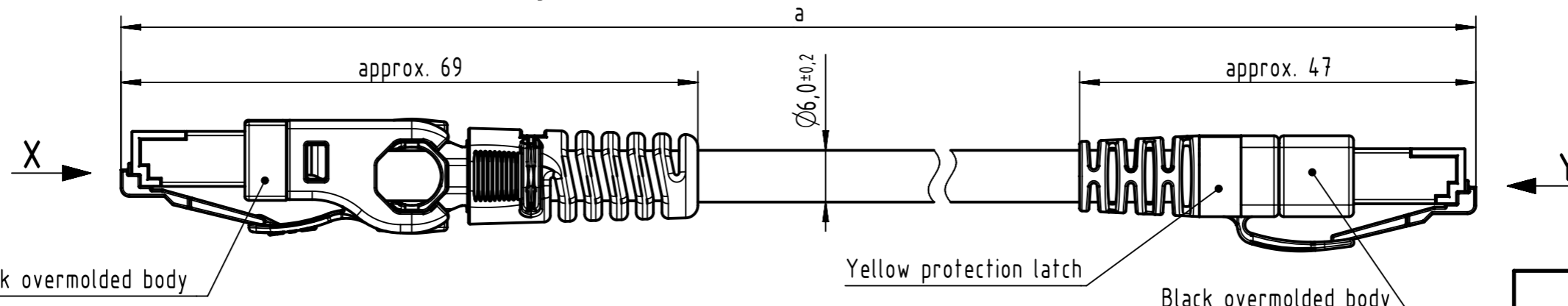
Connector Location A

Connector Location B

IP20 RJ45 VarioBoot Cat. 6A, preferred direction LEFT and RIGHT

Black protection latch with HARTING logo

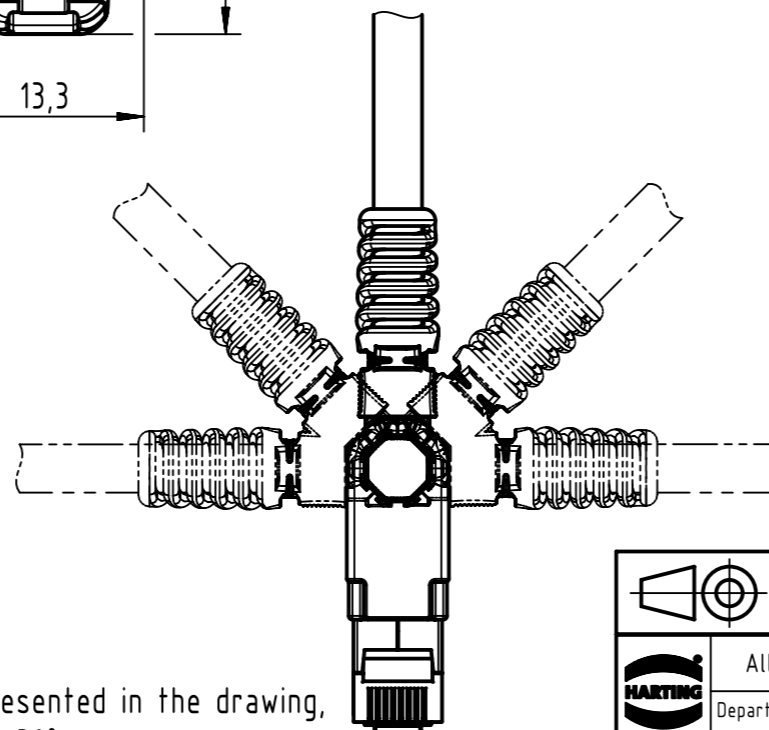
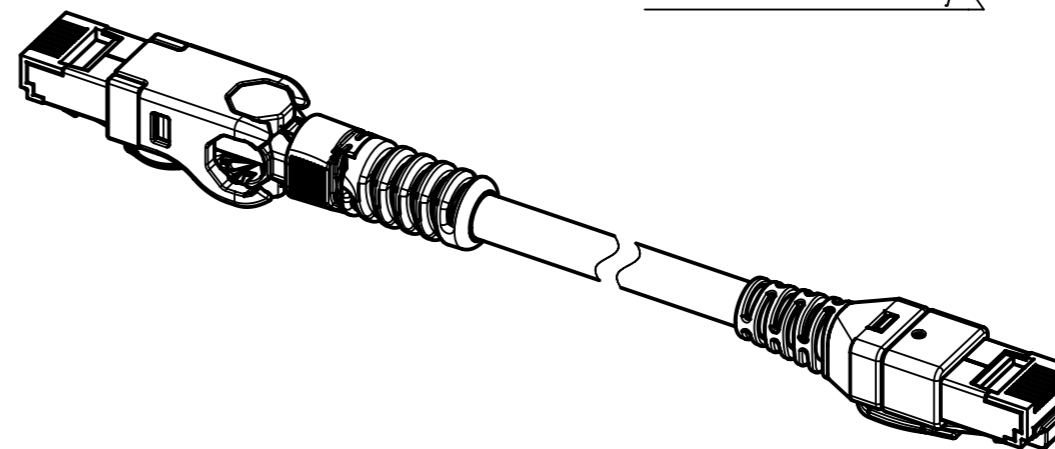
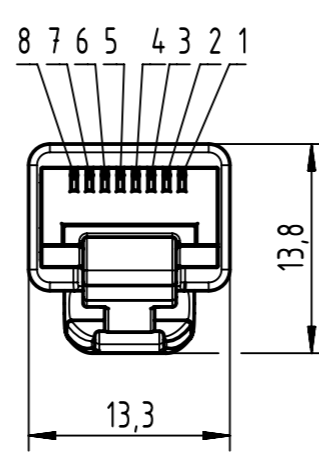
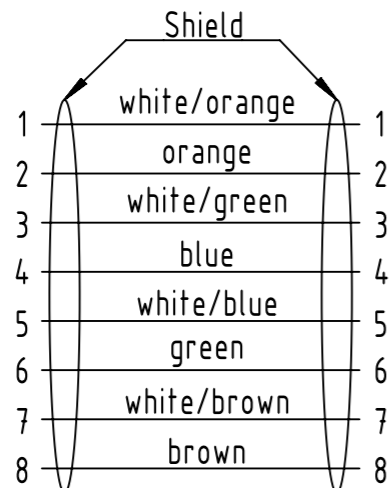
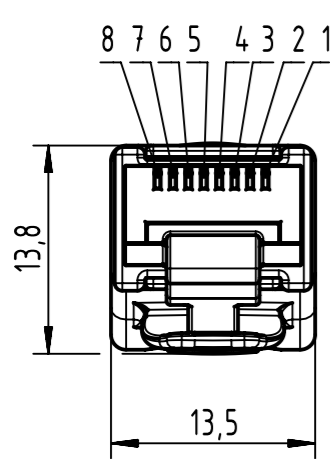
IP20 RJ45 DualBoot Cat. 6A, 8-pole



X male

Loading Plan acc. to TIA/EIA 568B

Y male



length in "1m" step	45	XXX=450
	44	XXX=440
	12	XXX=120
	11	XXX=110
length in "0.1m" step	10	XXX=100
	9.9	XXX=099
	9.8	XXX=098
	0.5	XXX=005
	0.4	XXX=004
	0.3	XXX=003
	0.2	XXX=002
Step	a [m]	XXX

6.0 to 45	±1%
0.6 to 5.9	+0.04
0.2 to 0.5	+0.02
a [m]	Tolerance

Temperature range:  
 - Fixed installation: -20°C ... +60°C  
 - Dynamic installation: 0°C ... +50°C

NOTE:  
 - Direction of the cable outlet can be changed up to 20x for the VarioBoot  
 - Mating face RJ45 acc. to IEC 60603-7 for both connectors

For lengths < 1.0m:  
 - relative positioning of the connectors to each other will be as presented in the drawing, however with an admissible angular deviation around cable axis of ± 30°  
 For lengths ≥ 1.0m:  
 -relative positioning of the connectors to each other not obligatory

Cat. 7 FRNC Ethernet Cable, AWG 26/7, S/FTP, yellow	09488587587XXX
Type of cable	Part no.

All Dimensions in mm		Tech. Character.		Free size tol.		According to production drawing	
	All rights reserved	Created by COSTEA	Inspected by 402676 Gross	Standardisation MUNTEANV Muntean	Date 2021-10-28	State Final Release	
	Department HCS - RO	Title VB RJ45 LaR - DualBoot Cat.6A FRNC yellow		Doc-Key / ECM-Nr. 100834047/UGD/000/D 50000204213		Rev. D	Page 1/1
HARTING Customised Solutions D-32339 Espelkamp		Type TB	Number 09488587587XXX				