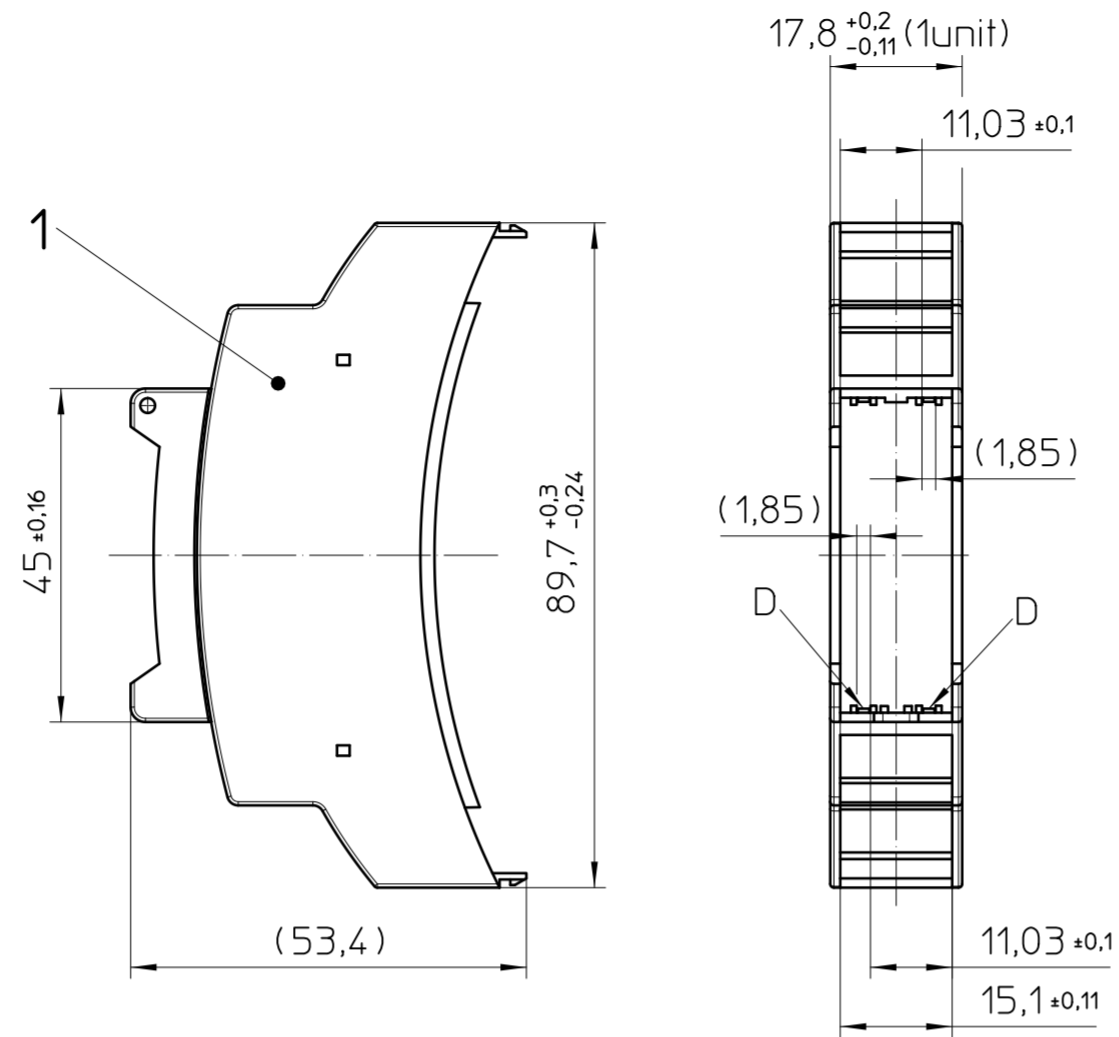
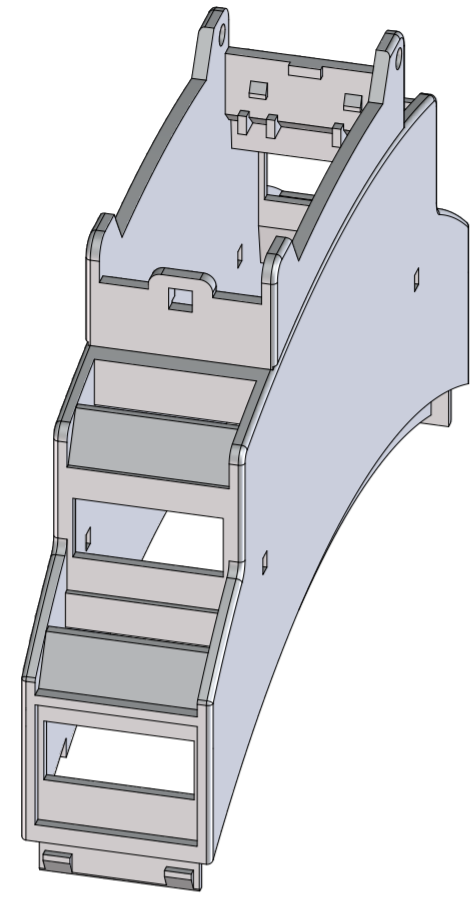


Transfer or duplication of this document as well as the utilisation or communication of its content are not permitted unless express consent is granted. Violations give rise to claims for damages. All rights reserved in case of patent, utility model or design patent registrations. Tolerance specifications do not include clearances inherent in the design.

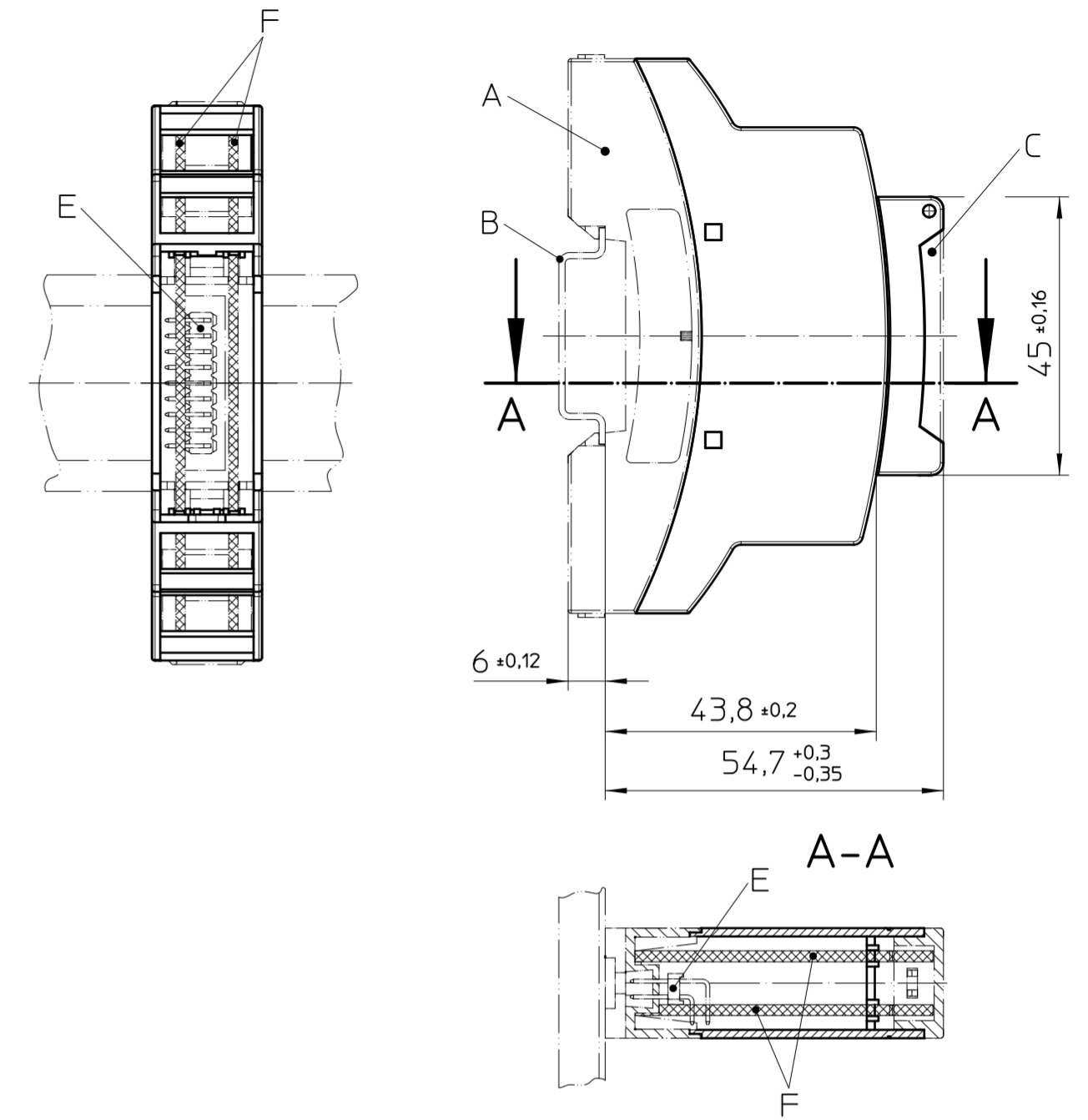
Weitergabe sowie Vervielfältigung dieses Dokuments, Verwertung und Mitteilung seines Inhalts sind verboten, soweit nicht ausdrücklich gestattet. Zuwiderhandlungen verpflichten zu Schadensersatz. Alle Rechte für den Fall der Patent-, Gebrauchsmuster- oder Designeintragung vorbehalten. Bauartbedingtes Spiel ist in den Toleranzangaben nicht berücksichtigt.

HOUSING UPPER PART

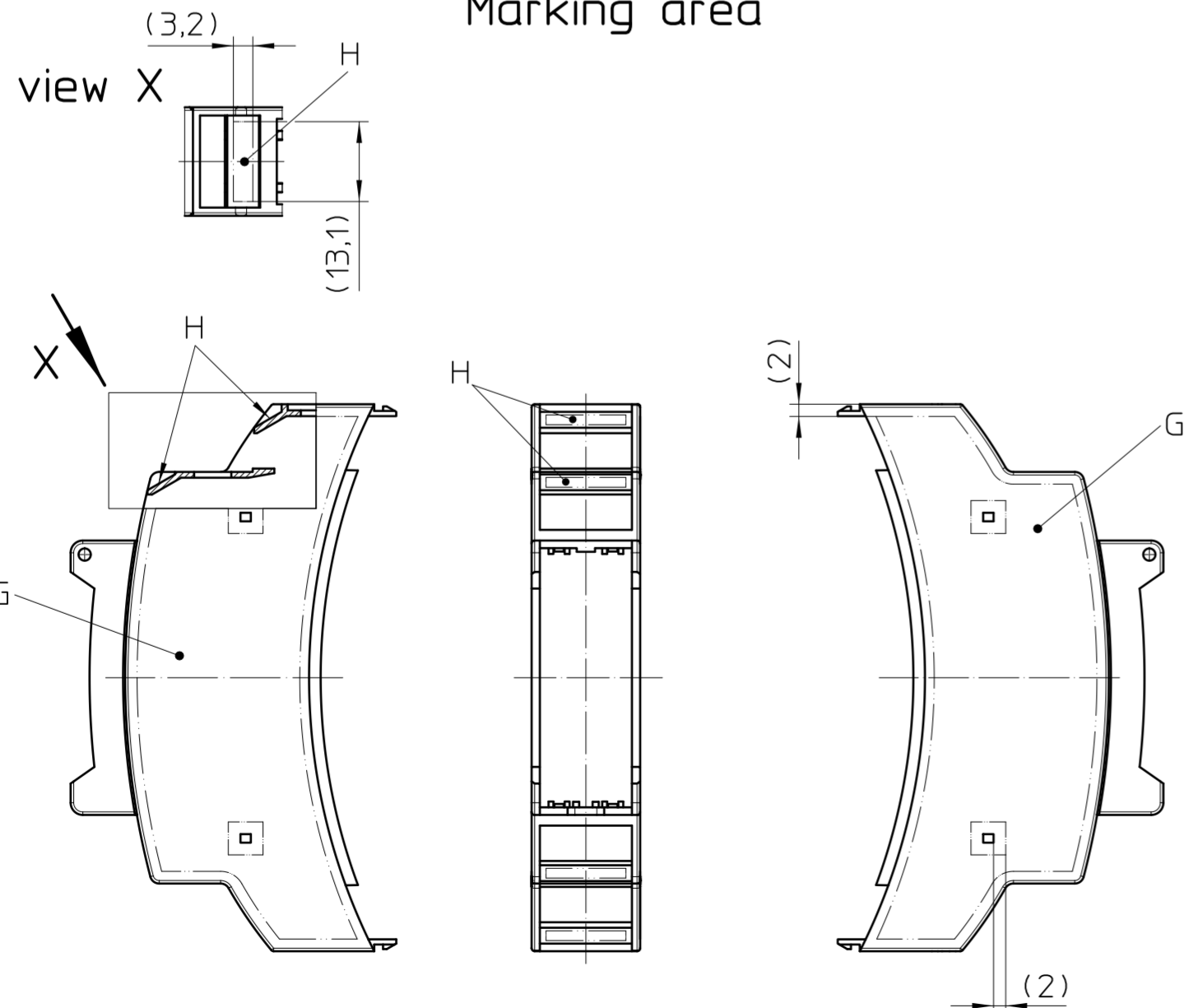


Assembly example

Overall dimensions complaint DIN 43880



Marking area



General Information:

- Simplified representation, exemplary shown in gray.
- Tolerances apply in a normal climate according to DIN EN ISO 291-23/50-2
- Workpiece zero point for mechanical processing
- Tolerances for mechanical processing are ISO 2768-mK
- Tolerances for printing DIN ISO 2768-m
- Machining radii min. R1, further on request
- Web: www.phoenixcontact.com webcode: #0311

Additional Information:

- A. Housing lower part
- B. Mounting rail like EN 30715: TH 35-7,5 or mounting rail TH 35-15x1,5 similar to EN 60715
- C. Cover
- D. PCB guidance
- E. Plug for HBUS (PSTD 0,65X0,65/9-H-2,54)
- F. PCB vertical
- G. Marking area for pad printing and laser printing.
The marking area has 2mm distance from all contours of this face.
- H. Marking area for pad printing and laser printing.

Pos.	QTY	Description	Material
1	1	HOUSING UPPER PART	PC

	document-no. / ri	article-no.	scale	- Simplified representation - Document excluded from change process - Linear dimensions (mm)
	00906064 / 03	1227302	1:1	
	date	document-type		
	04.02.2025	TECDOC_2D_Productdrawing		
page 1	of 1	description		
		BC 17,8 OTU MKDSO BK		