

# EVO E FIXED DATA SHEET



**5**  
YEAR  
WARRANTY



## Product information

The **EVO E FIXED** Downlight is a nice product suitable for most lighting applications. Easy installation with tool free mounting design and screwless terminal block. It has excellent dimming performance on various leading edge or trailing edge dimmers.

Moreover, it's flicker free, CRI > 97.

## Features

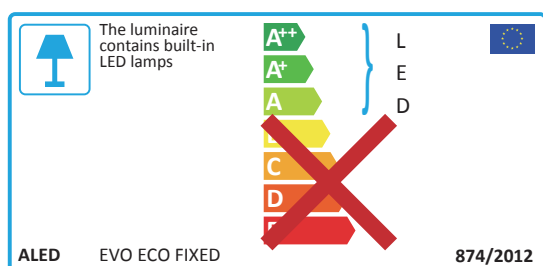
- \* High strength spring installation, screwless terminal block
- \* IP 54 rated, suitable for both indoor and outdoor applications
- \* Suitable for cutting holes with diameter from 68~83mm
- \* 50000 hours lifetime (L90B10). 5 Year Limited Warranty.
- \* Compatible with both leading edge & trailing edge dimmers
- \* Flicker free, CRI up to Ra97
- \* Complied with IEC/EN62471 photobiological safety standard



## Operation and Maintenance Tips

- \* Turn power off before inspection, installation or removal
- \* Lamps should be kept free from contamination.
- \* The luminaire is not suitable for emergency lighting
- \* All install and uninstall shall be done by a certified electrician
- \* Do not operate luminaire with damaged parts

## Energy Label



## Electrical and Photometric Characteristics

Nominal Voltage:	AC 220-240V
Operating frequency:	50/60Hz
Input current:	43mA
Inrush current:	< 2A
Power Factor:	0.9
Working temperature range:	-20°C ...+40°C
Starting time:	< 0.5 s
L90B10 Lifetime at Ta: 25°C	50,000 hrs
Switching cycles:	> 100,000 times
Percent flicker:	< 2%
Flicker index:	0.004
Beam angle:	60°
Dimmable:	Yes
SDCM:	3 steps
Risk group (EN 62471:2008)	RG1
IP rating:	IP54
EEC:	A+

\* Exceeding maximum ratings for operating temperature and input voltage will reduce expected life time or destroy the product.

## Specifications

EAN Code	Module Wattage*	Size mm (DxH)	CCT (Kelvin)*	Rated Flux (Lm) *	CRI (Ra)*	Beam angle*	Energy Class	SDCM	Trim Color	Dimmable
<b>EVO E FIXED Hvid</b>										
5703052001005	7W	90x41	2700	630	97	60°	A+	3	White	Yes
5703052002002	7W	90x41	3000	650	97	60°	A+	3	White	Yes
<b>EVO E FIXED Børstet Alu</b>										
5703052003009	7W	90x41	2700	630	97	60°	A+	3	Brushed	Yes
5703052004006	7W	90x41	3000	650	97	60°	A+	3	Brushed	Yes
<b>EVO E FIXED Udendørs Hvid</b>										
5703052005003	7W	90x41	2700	630	97	60°	A+	3	White	Yes
5703052006000	7W	90x41	3000	650	97	60°	A+	3	White	Yes
<b>EVO E FIXED Udendørs Sort</b>										
5703052007007	7W	90x41	2700	630	97	60°	A+	3	Black	Yes
5703052008004	7W	90x41	3000	650	97	60°	A+	3	Black	Yes

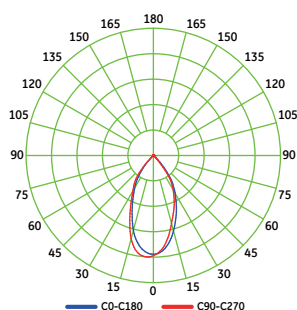
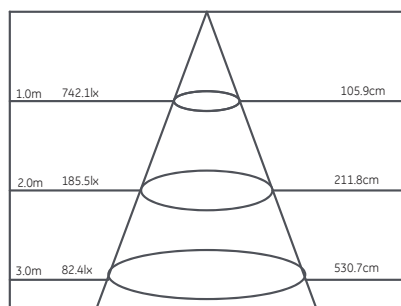
\* Due to the special conditions of the manufacturing processes of LED, the typical data of technical parameters can only reflect statistical figures and do not necessarily correspond to the actual parameters of each single product which could differ from the typical value. A max 10% tolerance is deemed to be acceptable in any case.

\* System power consumption 9W, 38D version also available upon request.

## Maximum loading of automatic circuit breakers

Breaker type	C10	C13	C16	C20	B10	B13	B16	B20	Inrush current	Inrush time
EVO E FIXED	120	160	200	240	60	80	100	120	Imax 2A	150µs

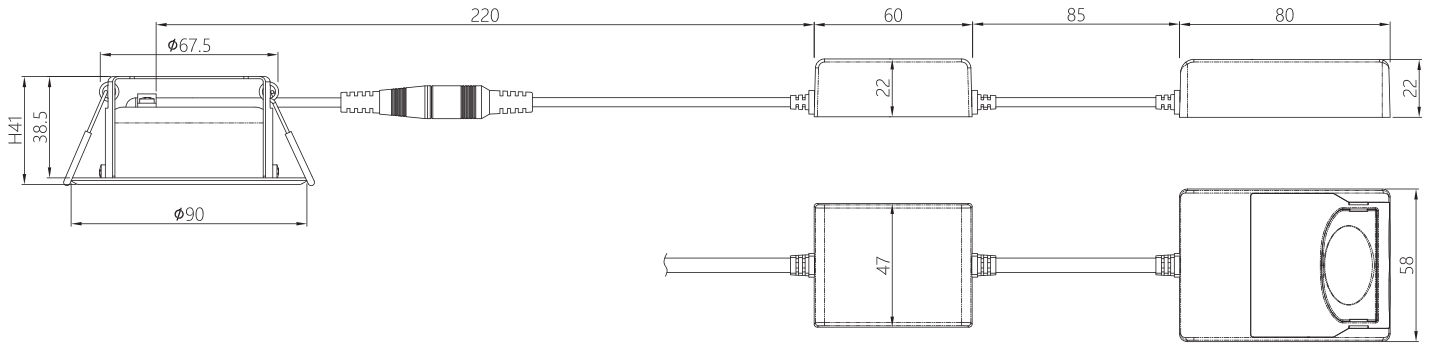
## Distribution of luminous intensity



## Dimension Diagram

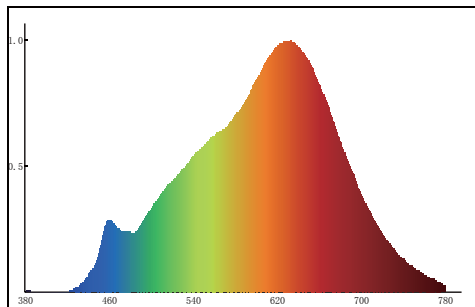
Item	Outer Diameter (mm)	In-ceiling Height (mm)	Cut-hole (mm)
LED Module	90	38.5	68-83

Item	Length (mm)	Width (mm)	Height (mm)
Connector box	80	58	22
Driver box	60	47	22



## Spectrum Distribution

Warm white - 2700K



Warm white - 3000K

