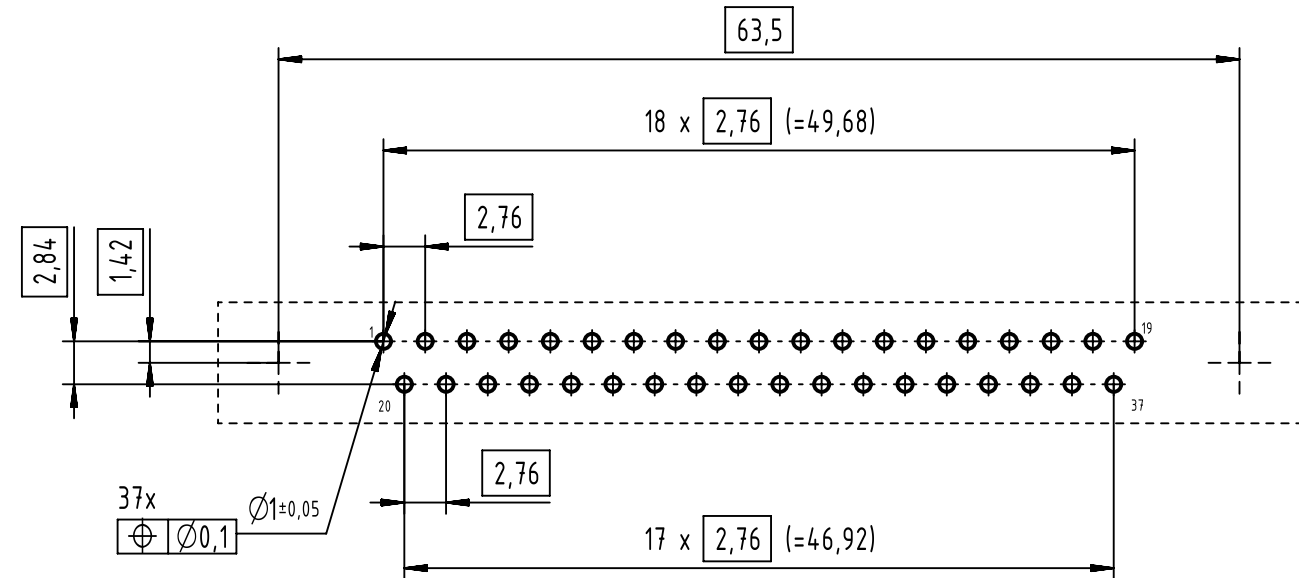
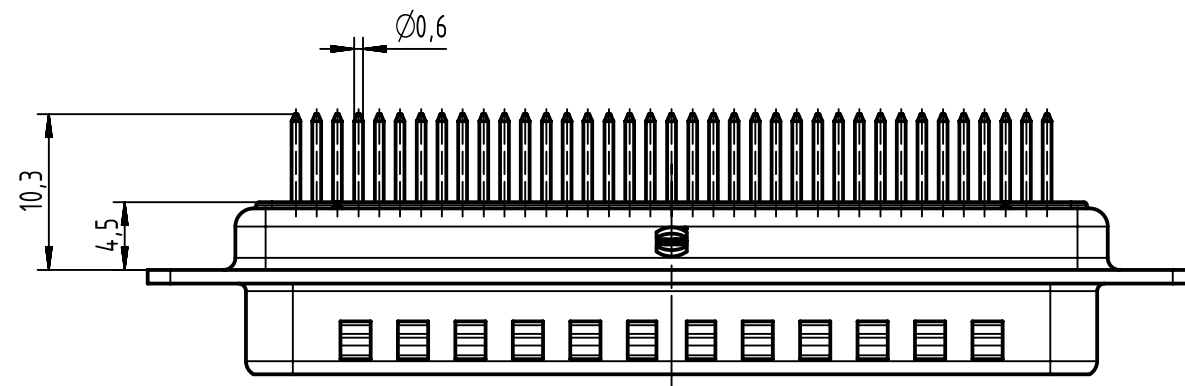


PC-Board layout
view component side



09 67 037 5655	PL2
09 67 037 5654	PL3
Part number	Performance level

	All rights reserved Department EL PD HARTING Electronics GmbH D-32339 Espelkamp	All Dimensions in mm Original Size DIN A3	Scale	Free size tol.	Ref.	
			2:1		Sub.	
		Created by	Inspected by	Standardisation	Date	State
		ZHUANGJ	LUOK	HOFFMANN	2018-05-02	Final Release
		Title				Doc-Key / ECM-Nr.
		D-Sub male 37-pole straight assembly				100578529/UGD/000/B 500000132564
		Type	Number	Rev.		Page
		TB	0967037565X	B		1/1