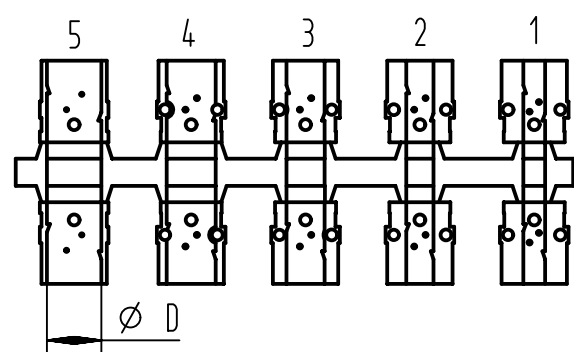
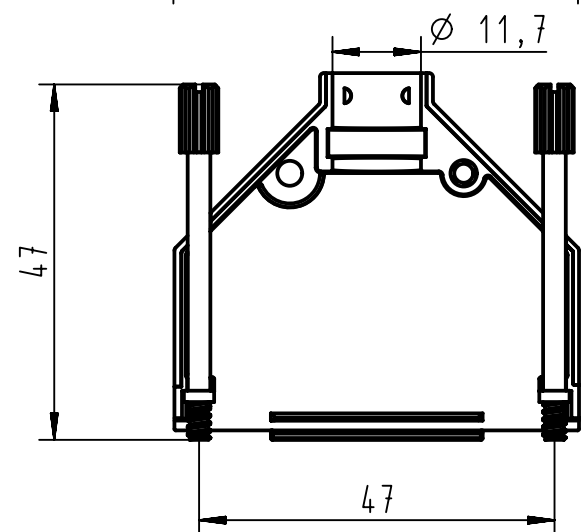
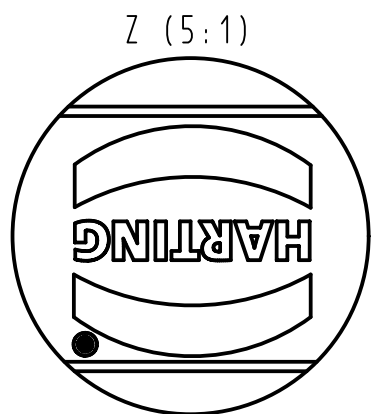
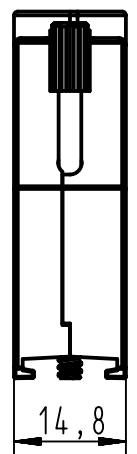
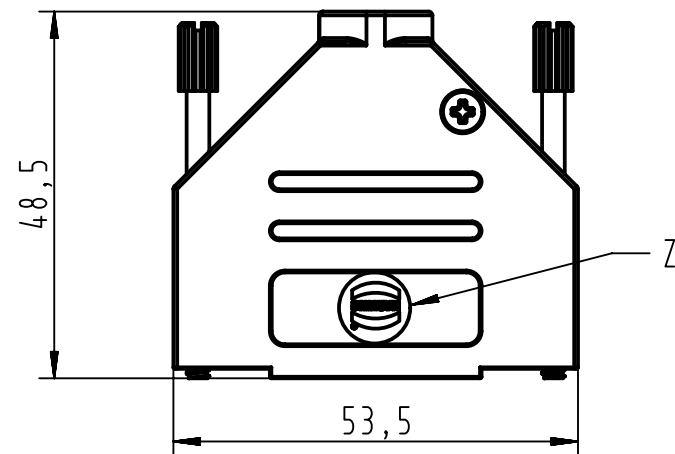


1 2 3 4 5 6

A  
B  
C  
D



| Grommet dimensions |            |
|--------------------|------------|
| Number             | Diameter D |
| 1                  | 4,0        |
| 2                  | 5,0        |
| 3                  | 7,0        |
| 4                  | 9,0        |
| 5                  | 10,2       |

|   |  |   |                    |                        |                        |  |                     |
|---|--|---|--------------------|------------------------|------------------------|--|---------------------|
|   | All rights reserved<br>Department EC PD - FR | All Dimensions in mm<br>Original Size DIN A4  |                    | Scale 1:1              | Free size tol.         | Ref.   |                     |
|   |  | HARTING Electronics GmbH<br>D-32339 Espelkamp | Created by DOUGE   | Inspected by BAGDIKIAN | Standardisation KOHLER | Date 2013-01-29  | State Final Release |
| Part number 09 67 025 0348<br>M3 screw thread |  | Title D-Sub Hood 25P top entry full metal     |                    |                        |                        | Doc-Key / ECM-Nr.<br>100521350/UGD/001/A<br>500000056836 |                     |
|   |  | Type TB                                       | Number 09670250348 |                        | Rev. A                 | Page 1/1   |                     |