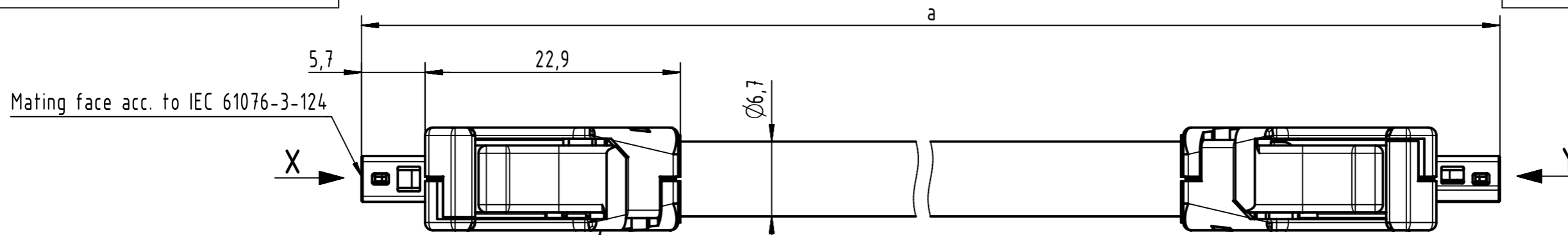
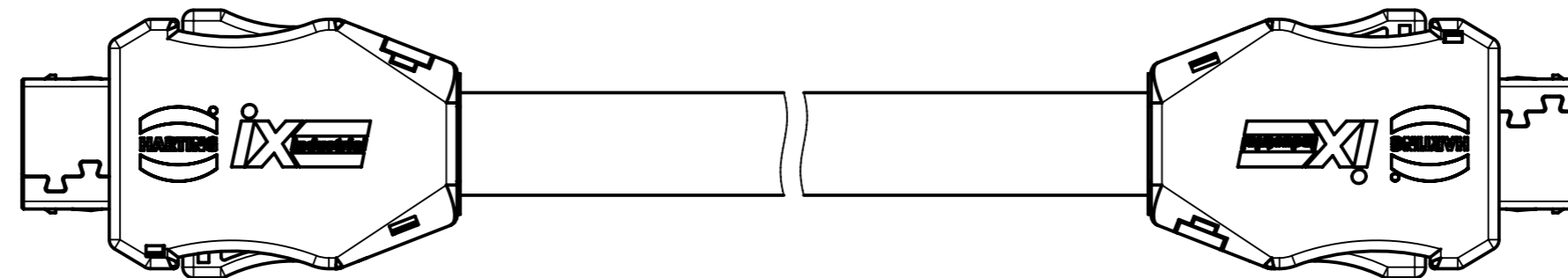


Connector Location A

Connector Location B



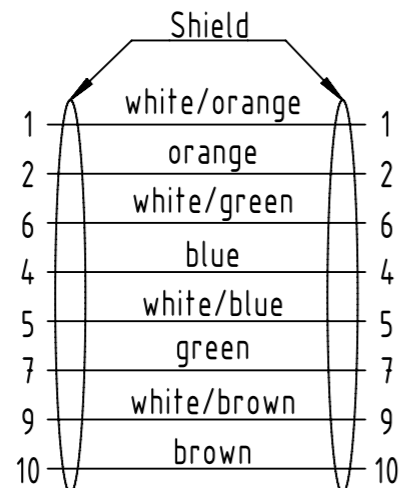
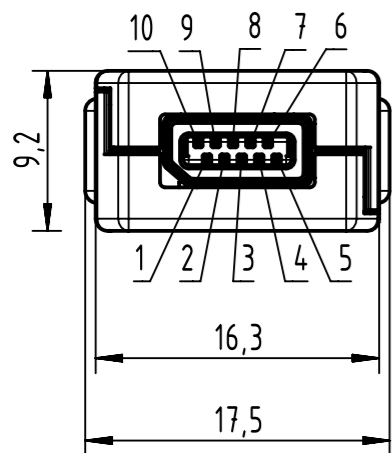
HARTING ix Industrial Cat. 6A, 10-pole, Type A IDC (IP20)



Loading Plan acc. to TIA/EIA 568B

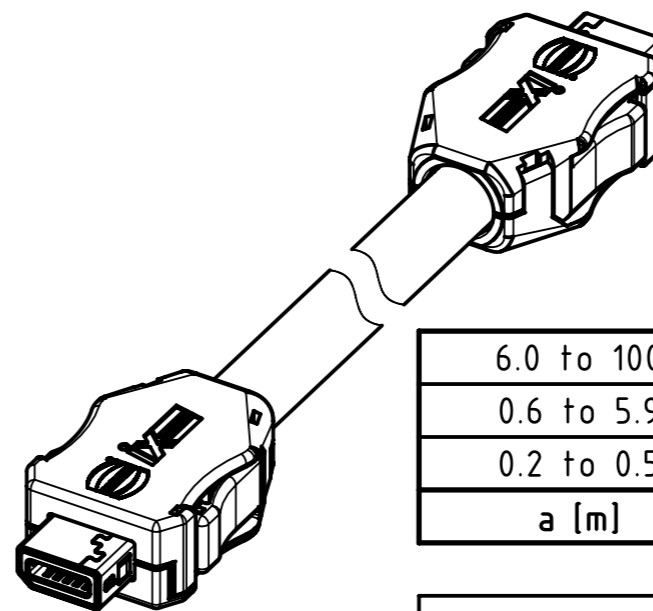
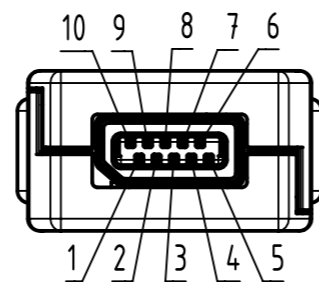
X male

Y male



Contacts 3 and 8 are not connected on both sides

- Contact material: copper alloy
- Contact area: Gold 0.2µm min.



6.0 to 100	±1%
0.6 to 5.9	+0.04
0.2 to 0.5	+0.02
a [m]	Tolerance

length in "1m" step	100	XXX=000
	99	XXX=990
	.	.
	12	XXX=120
	11	XXX=110
length in "0.1m" step	10	XXX=100
	9.9	XXX=099
	9.8	XXX=098
	.	.
	0.5	XXX=005
	0.4	XXX=004
	0.3	XXX=003
	0.2	XXX=002
Step	a [m]	XXX

Temperature range:
 - Fixed installation: -40°C ... +80°C
 - Dynamic installation: -40°C ... +80°C

HARTING IE Cat.6A 4x2xAWG 26/7
 PUR yellow

33480101804XXX

NOTE:
 * Cat.6A 10 Gbit/s Ethernet transmission possible for lengths up to 45m

For lengths < 1.0m:
 - relative positioning of the connectors to each other will be as presented in the drawing, however with an admissible angular deviation around cable axis of ± 30°
 For lengths ≥ 1.0m:
 -relative positioning of the connectors to each other not obligatory

	All rights reserved	Created by 407675 Lorinczi	Inspected by 402676 Gross	Standardisation MUNTEANV Muntean	Date 2022-11-08	State Final Release
	Department HCS - RO	Title ix Type A 4x2xAWG26/7 Cat.6A PUR		Doc-Key / ECM-Nr. 100898129/UGD/000/D 500000226508		
HARTING Customised Solutions D-32339 Espelkamp		Type TB	Number 33480101804XXX		Rev. D	Page 1/1