

wall thickness 2,1-4,5

seal compressed

8

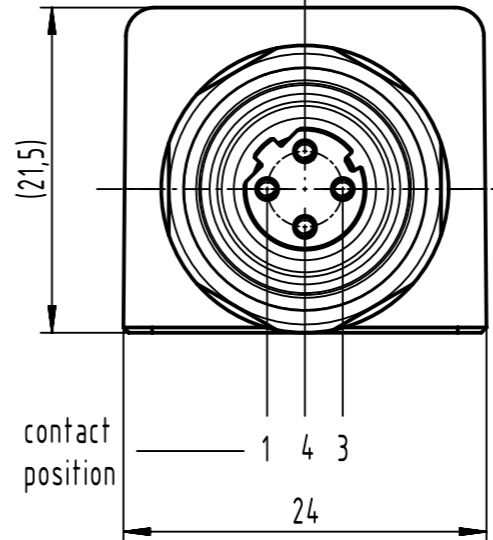
mating face acc. to IEC 60603-7

1

contact position

contact position

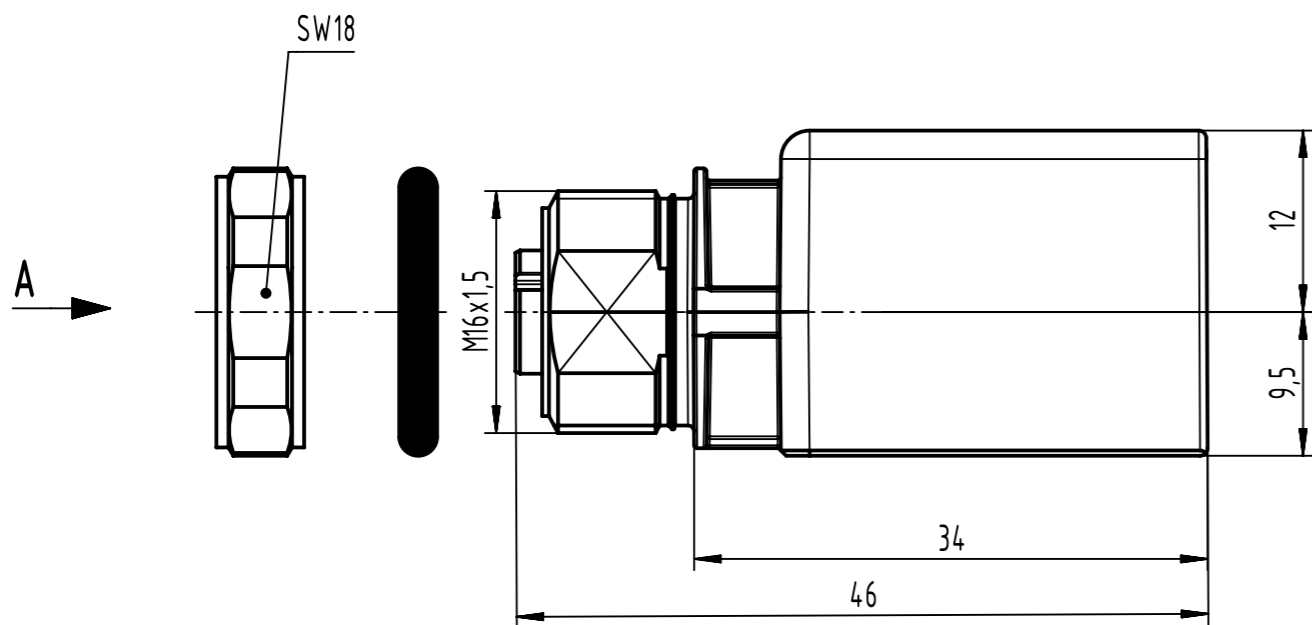
2



contact position

1 4 3

24



A

SW18

M16x1,5

12

9,5

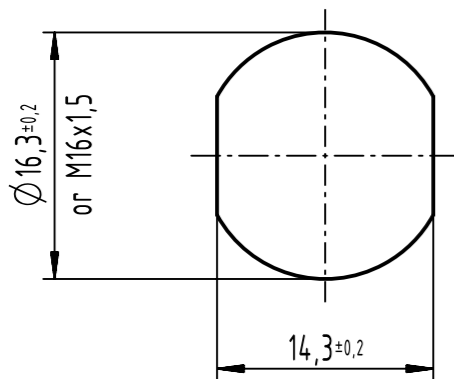
34

46

A

panel cut out

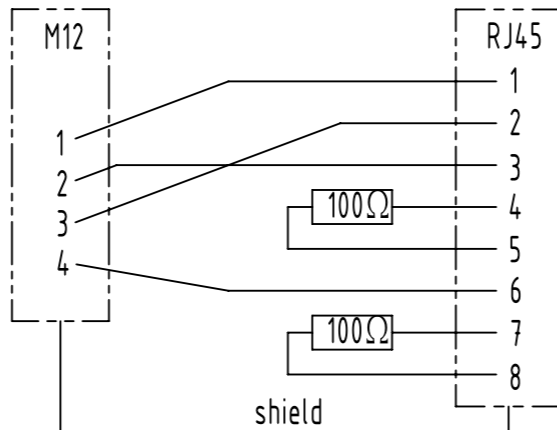
circuit diagram



Ø 16,3±0,2

or M16x1,5

14,3±0,2



M12

RJ45

1

2

3

4

1

2

3

4

5

6

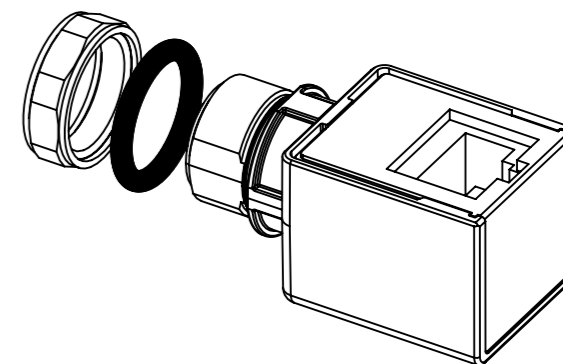
7

8

100Ω

100Ω

shield



	All rights reserved	Created by PREOTU	Inspected by PREOTU	Standardisation ROEBEN	Date 2023-07-03	State Final Release	Ref.
	Department EL PD	Title FKSDD-RJ45SFW-44		Doc-Key / ECM-Nr. 100513256/UGD/020/A 50000248716		Rev. A	Page 1/1
All Dimensions in mm Original Size DIN A3		Scale 2:1	Free size tol.		Sub.		
HARTING D-32339 Espelkamp		Type TB	Number 21573814401				