

Silica 21 rectangular

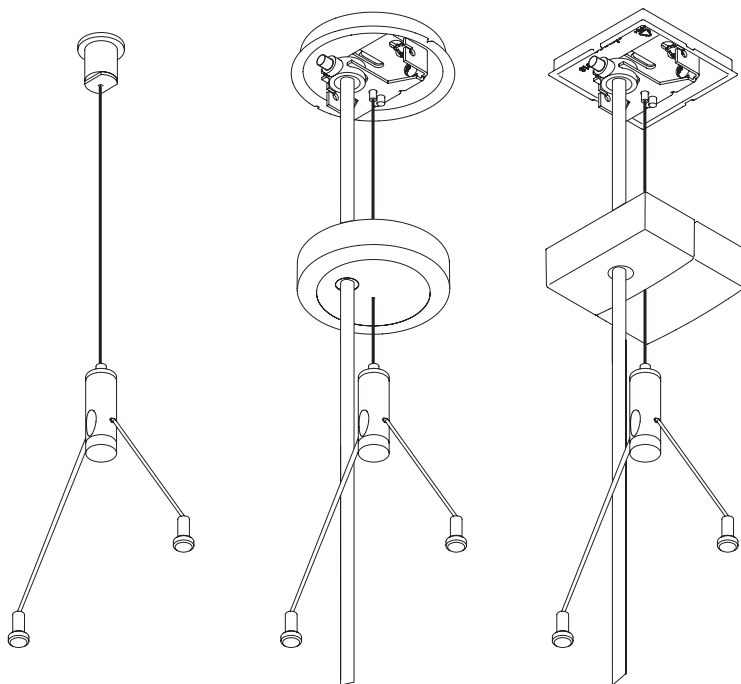
Seilabhängung

Rope Suspension

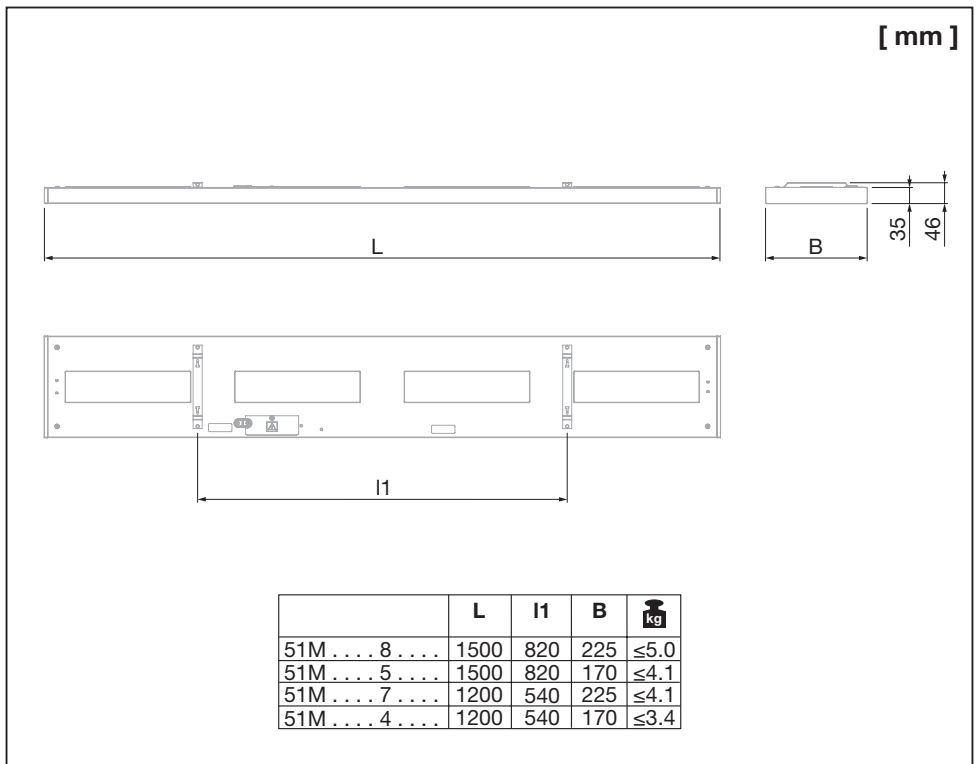
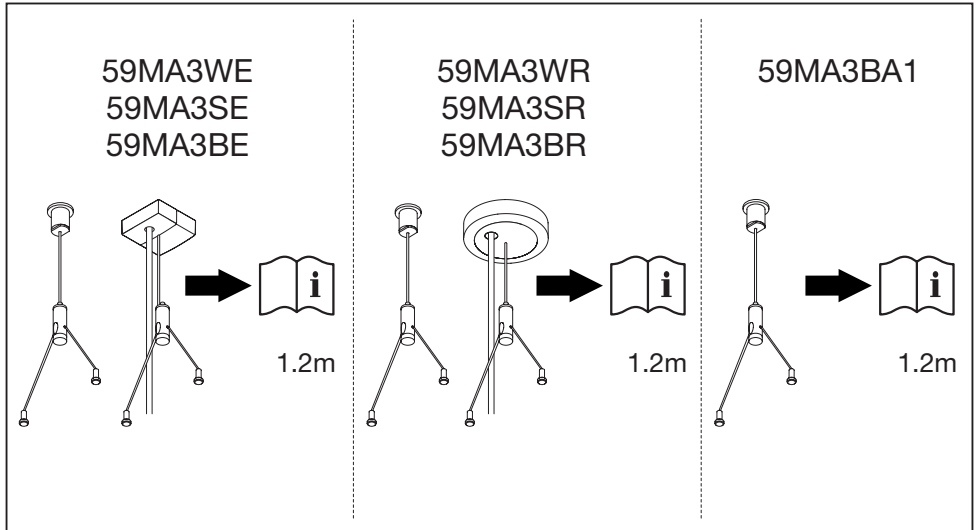
59MA3 . R

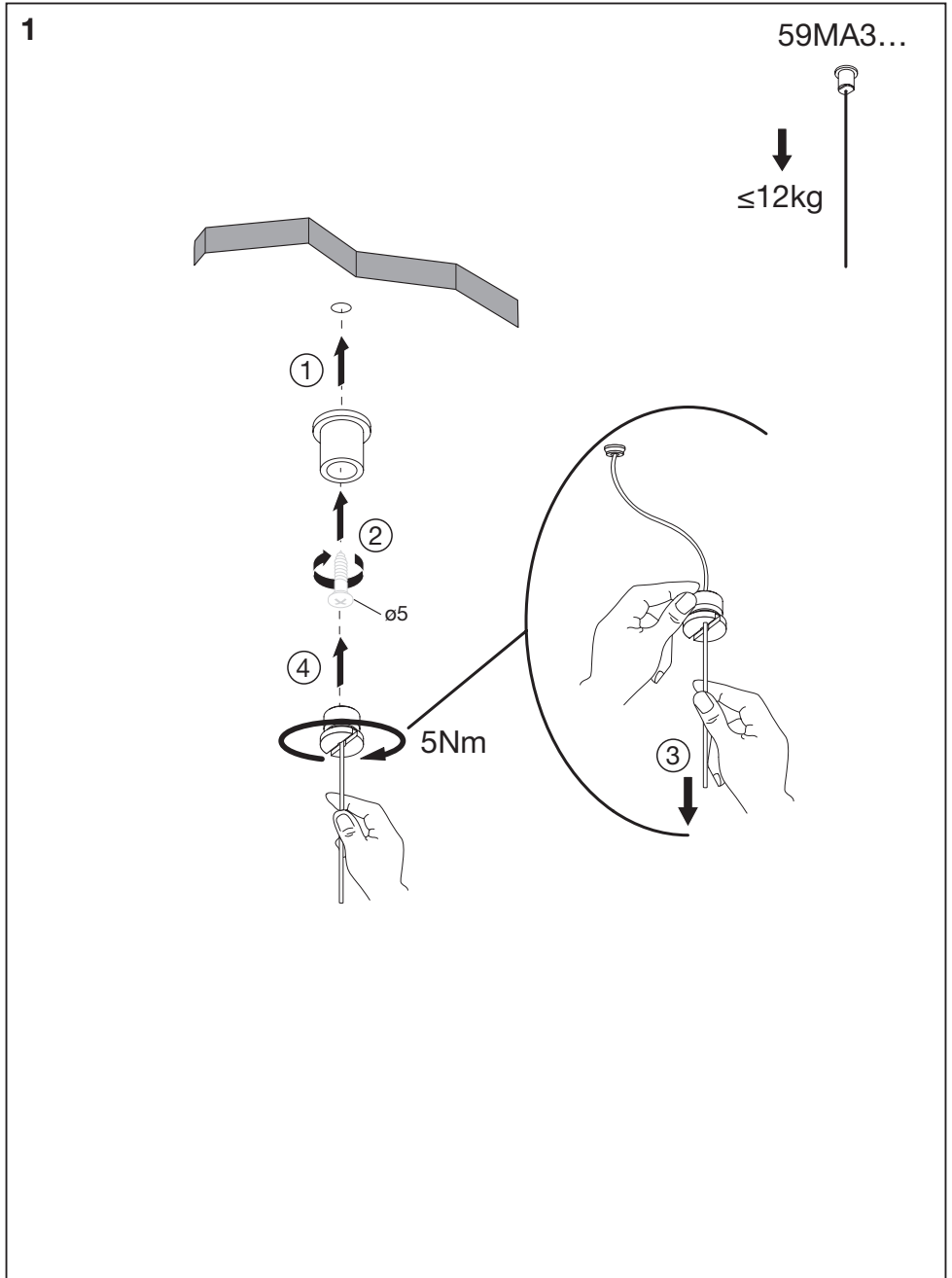
59MA3 . E

59MA3BA1



siteco





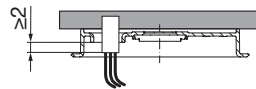
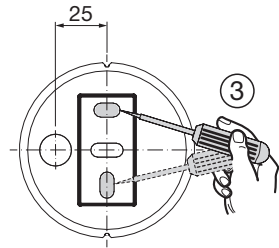
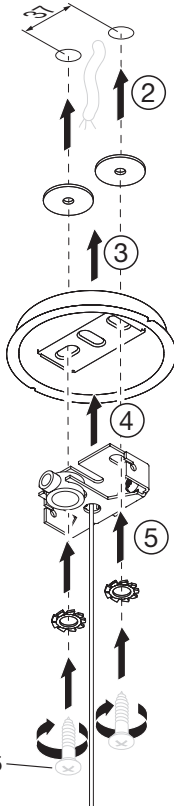
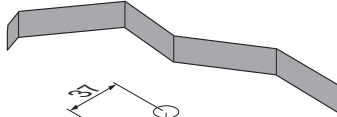
2a

59MA3WE
59MA3SE
59MA3BE

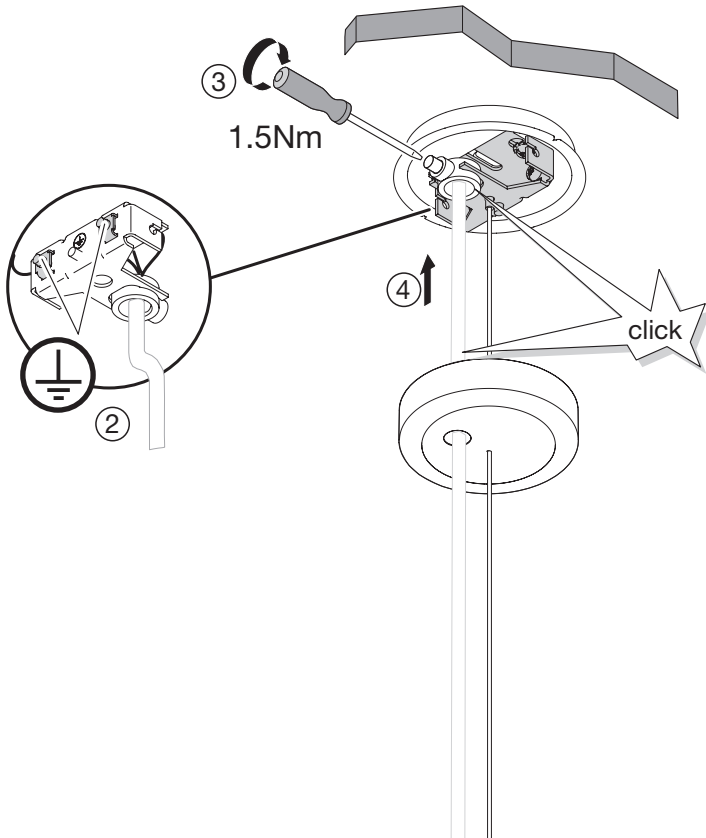
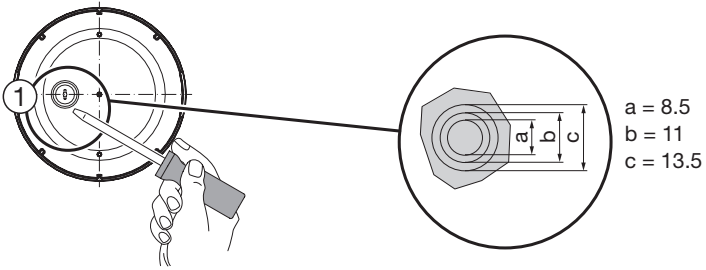
59MA3WR
59MA3SR
59MA3BR

≤12kg

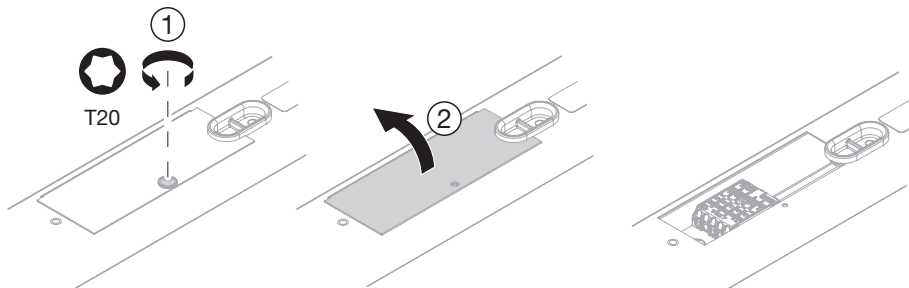
≤12kg



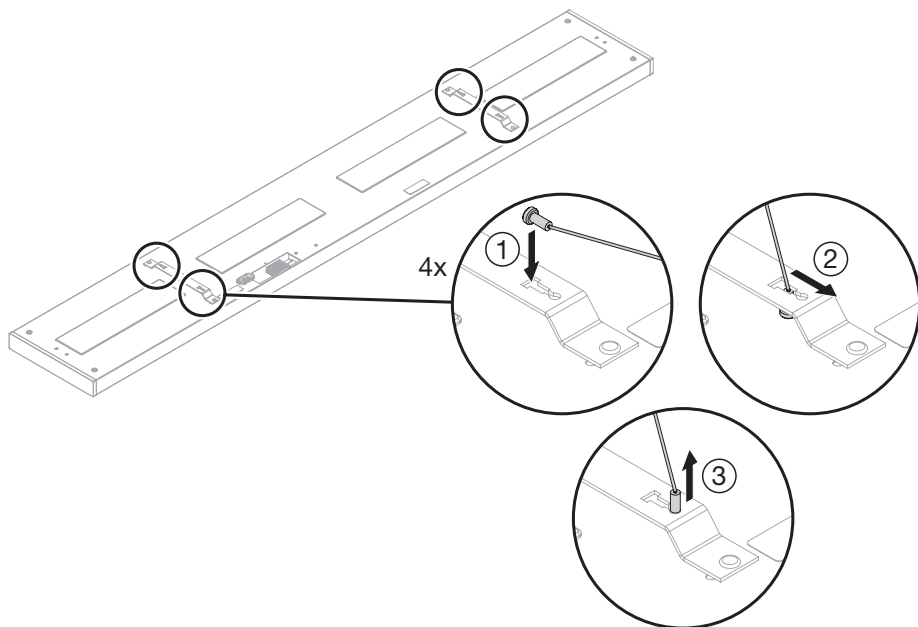
2b

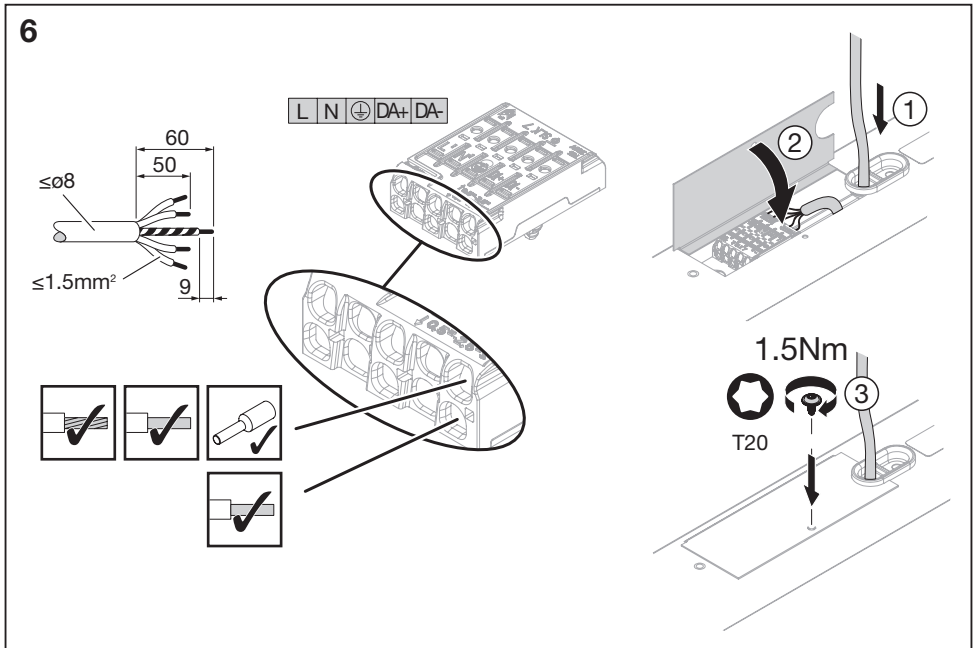
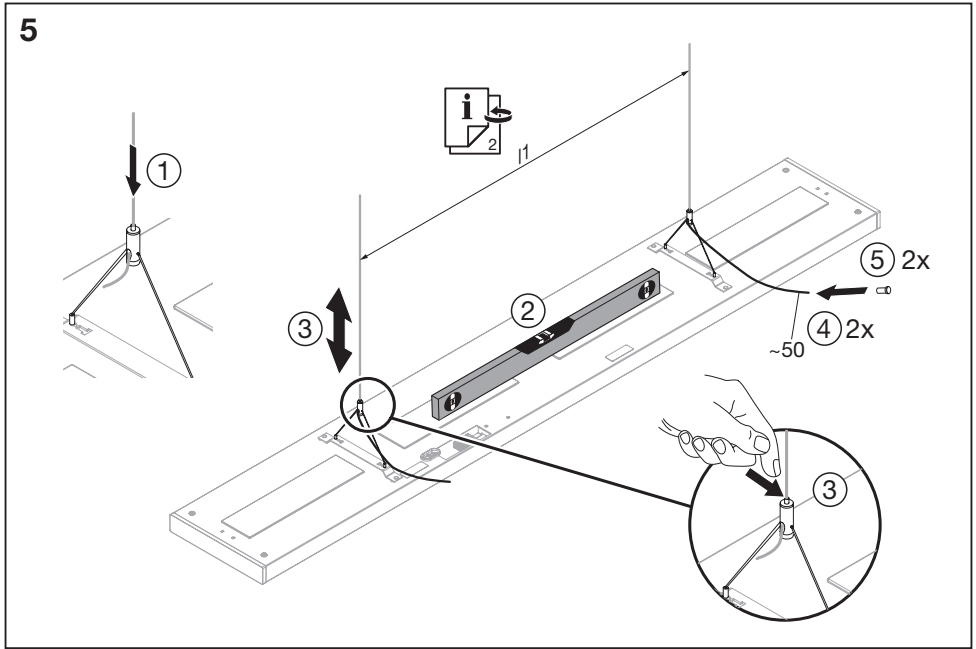


3

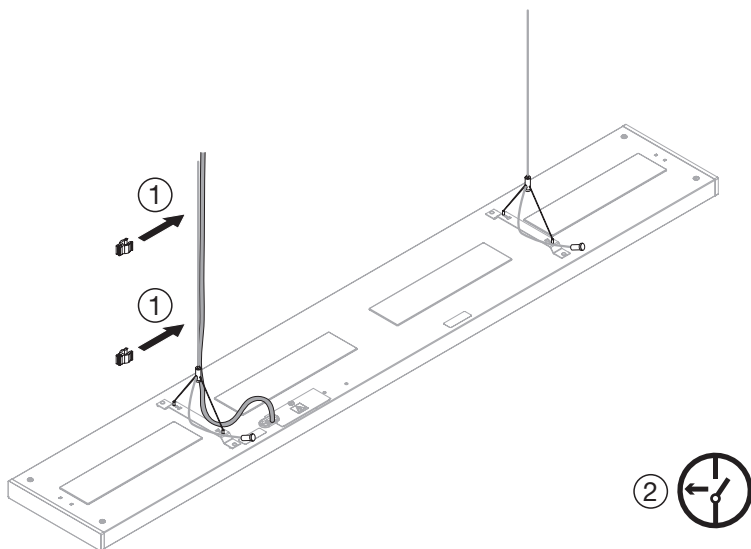


4





7



5MA41-271383_ad
14.01.2026 / PZ

Siteco GmbH
Georg-Simon-Ohm-Straße 50
83301 Traunreut, Germany
mail: technicalsupport@siteco.de
Phone: +49 8669 / 33-844
www.siteco.com