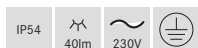
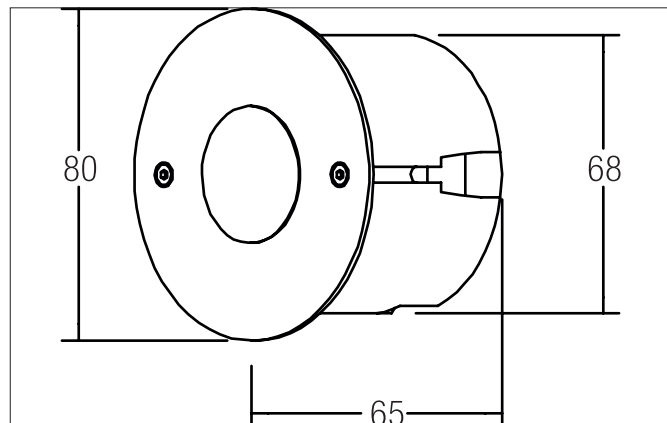


ECHANI-IP-R LED wall recessed light, IP54

Article no. 10012223

Light.
For Generations.**Tender**

LED wall recessed light, IP54, Round. Ceiling cut-out Ø 68 mm, Installation depth 65 mm, Outer diameter 80 mm, Weight 0,151 kg, with rotationssymmetrical, deep, wide distributed light intensity. optimal light distribution due to a plastic, opal cover. Luminous flux 40 lm, Power 1 x 1,2 W, System Efficiency 33 lm/W, Light colour warm white, Correlated color temperature (CCT) 3.000 K, Colour rendering index CRI > 70, Housing material: Stainless steel / Acrylic / Plastic / Rubber, Colour: Stainless steel, Permissible ambient temperature (ta): -20 °C - +25 °C, Protection class (EN 61140): I, Degree of protection (DIN EN 60529): IP54. With electronic driver, on/off switchable.

| Article data | |
|--------------------|--|
| Article no. | 10012223 |
| GTIN | 4250047765769 |
| Series name | ECHANI-IP-R |
| Short description | LED wall recessed light, IP54 |
| Material | Stainless steel / Acrylic / Plastic / Rubber |
| Colour | Stainless steel |
| Type of surface | Matt |
| Shape | Round |
| Outer diameter | 80 mm |
| Built-in diameter | 68 mm |
| Installation depth | 65 mm |
| Hight | 2.5 mm |
| Weight | 0.151 kg |

ECHANI-IP-R LED wall recessed light, IP54

Article no. 10012223

Light.
For Generations.

| Lighting technology | |
|---------------------|-----------|
| Colour temperature | 3.000 K |
| Light colour | White |
| Luminous flux | 40 lm/m |
| System efficiency | 33 lm/W |
| Colour rendering | CRI > 70 |
| Reflector | Without |
| Light sharing | Symmetric |

| Operating technology of the luminaire | |
|---------------------------------------|--------|
| System output | 1.2 W |
| Voltage type | AC |
| AC nominal voltage max | 230 V |
| Frequenz max. | 50 Hz |
| Lamp | LED |
| Protection class | I |
| Degree of protection | IP54 |
| Dimmable | No |
| Control | on/off |
| Bulb change possible | Yes |

| Operating technology of driver | |
|--------------------------------|-----------|
| Protection class | II |
| Degree of protection | IP66 |
| Control | on/off |
| Version | Plug&Play |

| Mounting technology | |
|-----------------------|---|
| Mounting method | Recessed mounting |
| Place of installation | Wall-mounted |
| Adjustability | Not adjustable |
| Further references | No cover with thermal insulation material |
| Material cover | Plastic, opal |

| Packing data | |
|-------------------------|---|
| Gross weight | 0.181 kg |
| Length of packaging | 95 mm |
| Packaging width | 75 mm |
| Packaging height | 95 mm |
| Disposal at end of life | This product must not be disposed of with household waste. You are obliged, to dispose of such electrical waste separately. By disposing of electrical waste and other old or defective electronics separately, you support recycling or other forms of re-use. In that way you help to take care and to avoid that harmful substances get into the environment. |