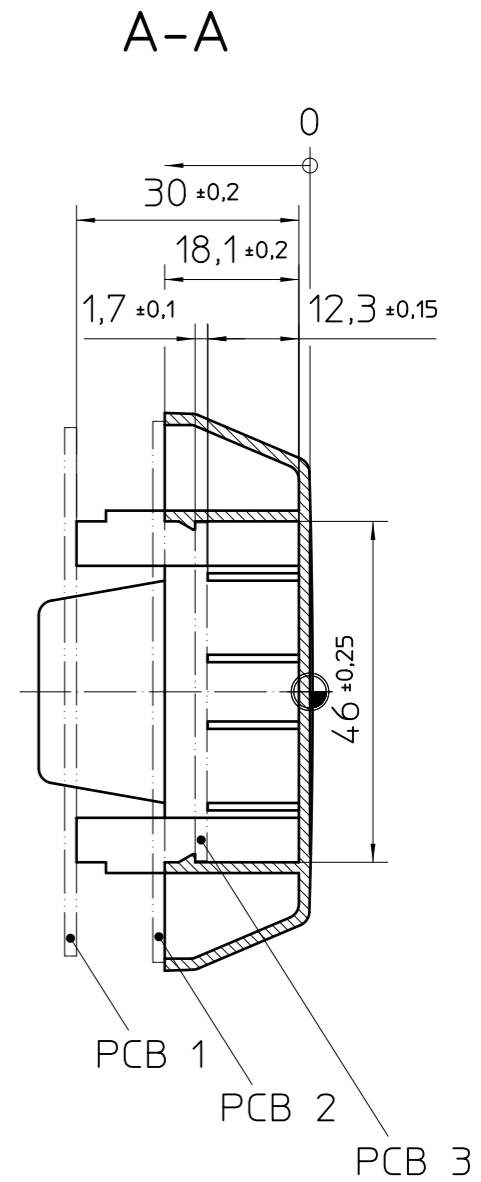
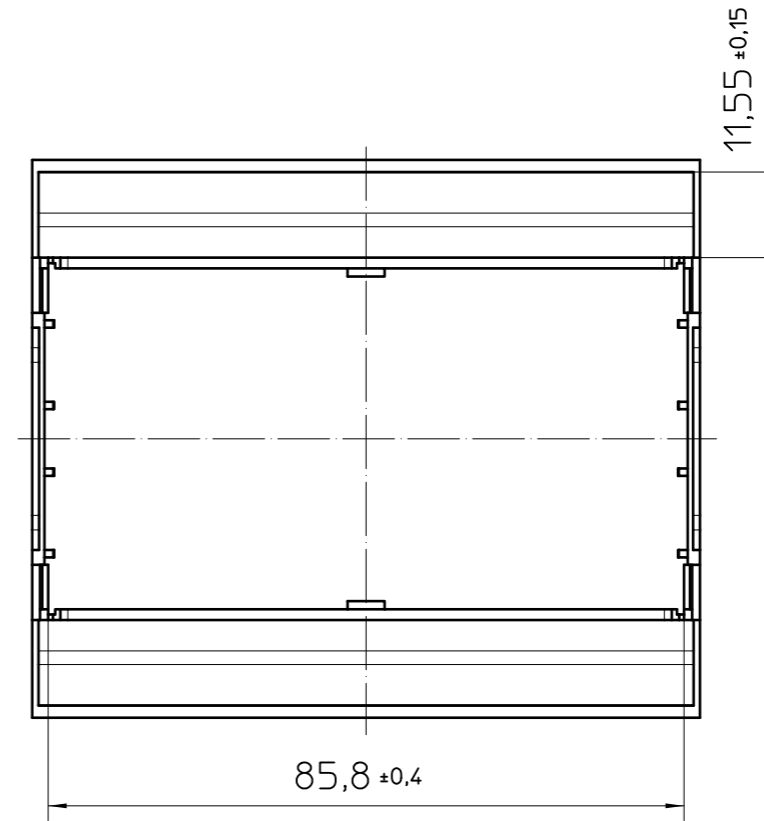
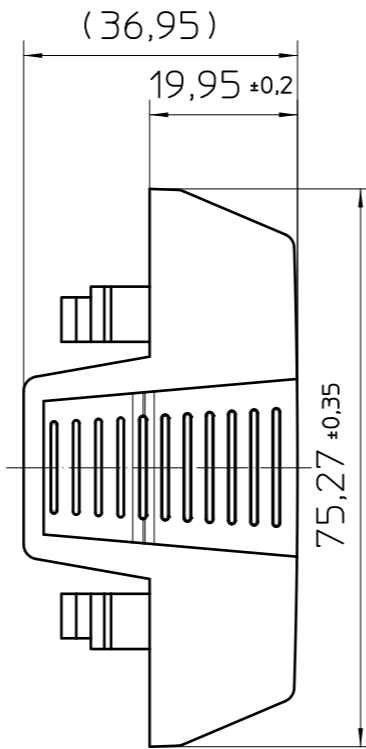
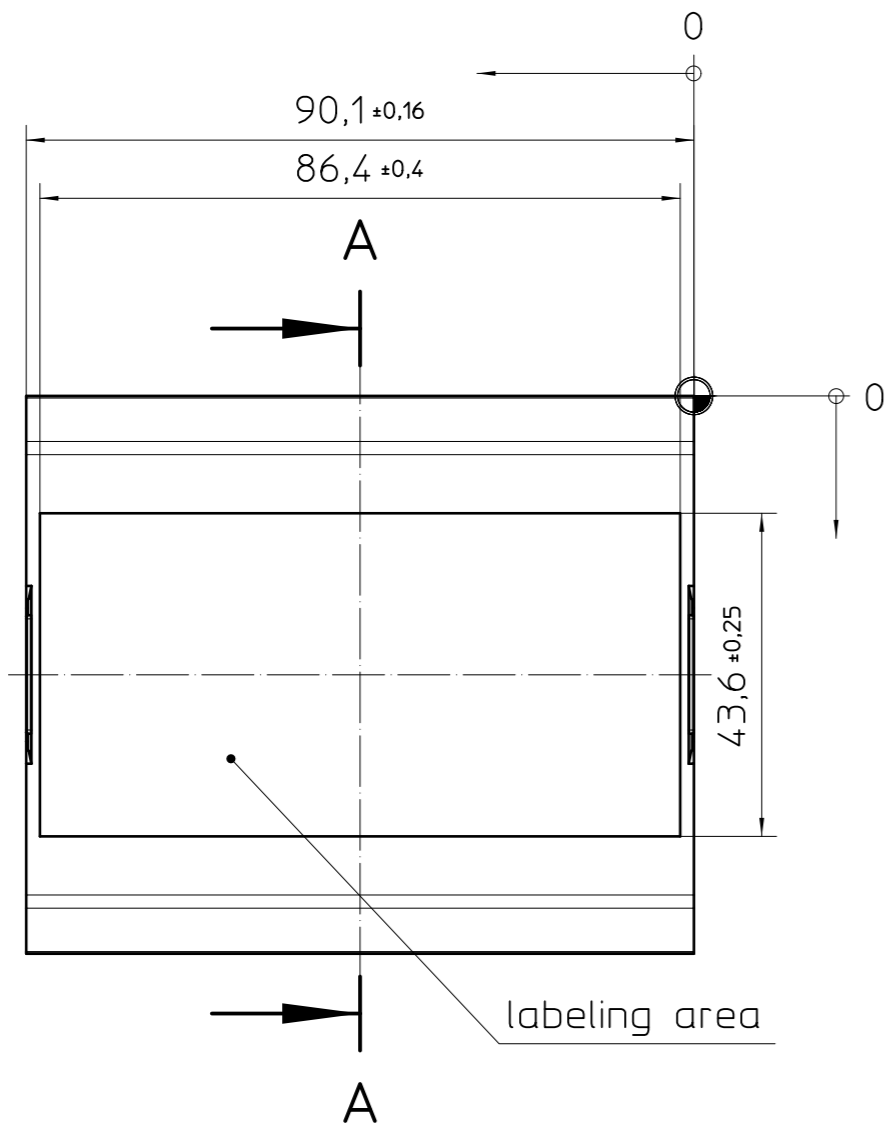
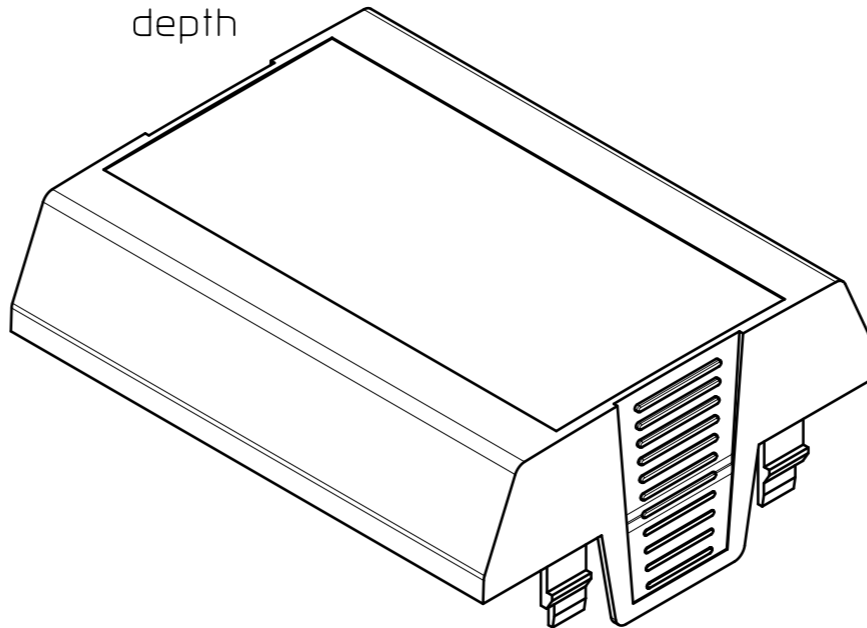


Transfer or duplication of this document as well as the utilisation or communication of its content are not permitted unless express consent is granted. Violations give rise to claims for damages. All rights reserved in case of patent, utility model or design patent registrations.

Weitergabe sowie Vervielfältigung dieses Dokuments, Verwertung und Mitteilung seines Inhalts sind verboten, soweit nicht ausdrücklich gestattet. Zuwiderhandlungen verpflichten zu Schadenersatz. Alle Rechte für den Fall der Patent-, Gebrauchsmuster- oder Designeintragung vorbehalten.



height  
width  
depth



General Information

⊕ = workpiece zero point for mechanical processing

- Simplified representation
- Document excluded from change process
- CAD Data see Download-Center on [www.phoenixcontact.com](http://www.phoenixcontact.com)
- Linear dimensions [mm]
- Tolerances, apply in a normal climate according to DIN 50014-23/50-2

	DIN A3	document-No. / RI	00843475 / 03	date	01.07.2025	scale	1:1
		ident.-No.	1069919	document-type	TECDCO 2D_Productdrawing		
description		EH 90-C CS/ABS-PC GY7035					
page 1	of 1						